

# 1000 Series Flowmeter

## Technical Product data sheet



### 1000 Series Flowmeter

The 1000 series flowmeter is designed to give high performance and competitive pricing with 7 flow ranges from 0.05 to 30 litres per minute. Its choice of body materials makes this the ideal choice for the metering of aggressive chemicals, including ultra-pure water. The standard inlet is a 1/2" BSPF although for OEM use alternatives are available. The bearings are made of sapphire for long life and reliability, the body is either PVDF or 316 stainless steel and as standard the 'O' ring seal is Viton™.

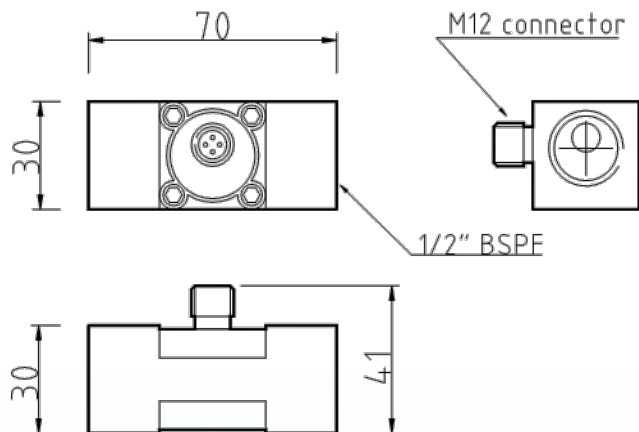
#### Features

- Low cost
- PVDF - or St St Body
- ±0.75% Reading \*
- 1- 2% FSD
- Sapphire bearings
- Hall Effect sensor
- 7 Flow ranges
- Pulse output (NPN Std)
- Pulse output (PNP Option)
- 10 Bar rating
- Viton™ seal as standard.
- 1/2" BSPF connections
- 0.1% Repeatability
- 4.5 to 24 V dc
- 25°C Min to 125°C Max

\* When used with our metra-smart instrument

#### Ideal for

- Laboratory tests
- Cooling equipment
- Active flow alarms
- Semiconductor plant
- Engine test



#### Weight

- PVDF = 0.085 kg
- St St = 0.245 kg

## 1000 Series Flowmeter

### Order Codes

Flow range	1003
L/min	1015
	1045
	<b>1065</b>
	1010
	1024
	1000
O'ring mtl	<b>V</b> - Viton™ N - Nitrile E - EPDM S - Silicon
Options	<b>0</b> - Standard 2 - NPN - PNP
Body material	<b>P</b> - PVDF S - 316 St St
Special OEM code	<b>0</b> - Standard U - Uncalibrated

Order code example: - **1065-VOP-0** is a flow range of 0.25 to 6.5 L/Min, Viton™ seal, standard electronics, PVDF body and a standard six point calibration.

### Standard Materials of Construction

- Body and cap - PVDF or 316 St St
- 'O' Ring seal - Viton™
- Magnets - Ceramic
- Bearings - Sapphire

Model	Flow range L/Min	Linearity % FSD	Typical Freq. Hz.	Approx 'K' Factor
1003	0.05 - 0.5	2.0	142	17000
1015	0.12 - 1.5	2.0	175	7000
1045	0.20 - 4.5	1.5	260	3500
1065	0.25 - 6.5	1.5	230	2100
1010	0.30 - 10.0	1.0	235	1420
1024	0.50 - 15.0	1.0	245	980
1000	2.00 - 30.0	1.0	250	500

### 1000 Series Flowmeter

At the heart of the meter is a precision turbine that rotates freely on robust sapphire bearings and contains chemically resistant ceramic magnets that are detected through the chamber wall by a Hall effect detector. The output is a stream of NPN pulses that readily interfaces with most electronic display or recording devices. This combination of materials and technology ensures a long life product with reliable operation throughout. . There are two temperature options 125°C or 60°C. The 60°C unit is fitted with two LEDs to monitor the power and pulse output, both NPN and PNP

