

# 800 Series Low Power Flowmeter

## Technical Product data sheet



### 800 Series Low Power Flowmeter

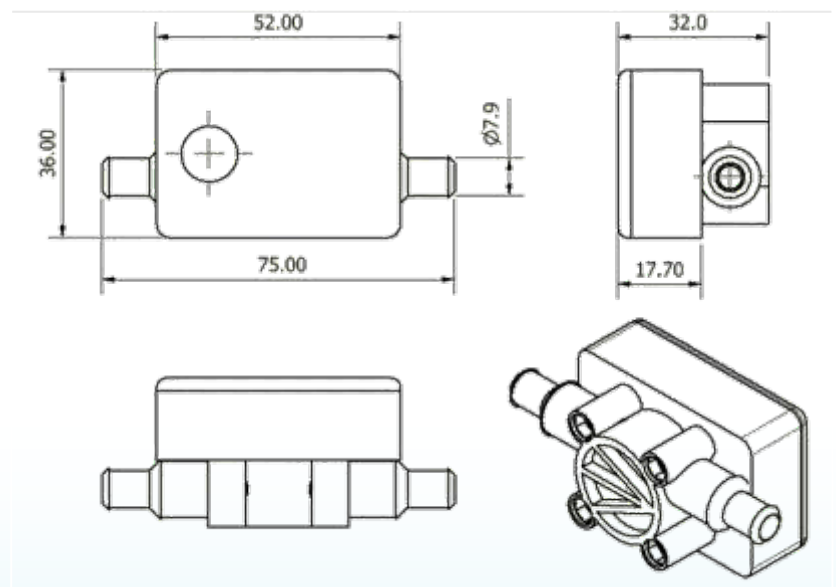
The low power (4uA @ 3.3V) flowmeter is designed to give high performance and competitive pricing with 6 flow ranges from 0.05 to 15 litres per minute. Its totally non-metallic wetted components makes this the ideal choice for the metering of aggressive chemicals including ultra-pure water. The standard inlet tubes are barbed to accept a hose size of 8mm although for OEM use alternatives are available. The bearings are made of sapphire for long life and reliability, the body is moulded PVDF as standard and the 'O' ring seal is typically Viton™.

#### Features

- Low cost
- PVDF body
- 1- 2% FSD
- Sapphire bearings
- Low power sensor
- 6 Flow ranges
- 10 Bar rating
- Viton™ seal as std.
- 8 mm hose tails
- 0.1% Repeatability
- 3.3 V 4uA
- 25°C Min to 80°C Max
- 0.050gms

#### Ideal for

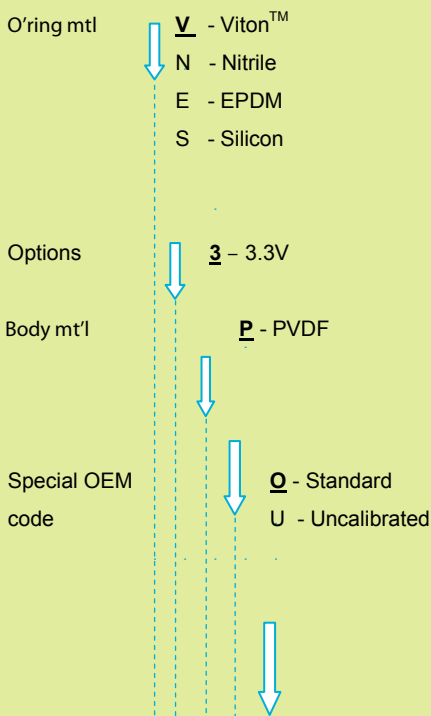
- Drink dispensing
- Laboratory tests
- Cooling equipment
- Active flow alarms
- Semiconductor plant
- OEM applications



## 800 Series Low Power Flowmeter

### Order Codes

Flow range 803  
L/min 815  
845  
**865**  
810  
824



e.g. **865-V3P-O** is a flow range of 0.25 to 6.5 L/Min, Viton™ seal, standard, PVDF bodied flowmeter with a 6 point traceable water calibration.

### Standard Materials of Construction

Body and cap - PVDF  
'O' Ring seal - Viton™  
Magnets - PVDF coated Ceramic  
Bearings - Sapphire

Model	Flow range L/Min	Linearity % FSD	Typical Freq. Hz.	Approx 'K' Factor
803	0.05 - 0.5	2.0	47	5650
815	0.12 - 1.5	2.0	58	2300
845	0.20 - 4.5	1.5	86	1150
865	0.25 - 6.5	1.5	76	700
810	0.30 - 10.0	1.0	78	470
824	0.50 - 15.0	1.0	81	325

### 800 Series Low Power Flowmeter

At the heart of the meter is a precision turbine that rotates freely on robust sapphire bearings and contains chemically resistant ceramic magnets that are detected through the chamber wall by a low power detector. The output is a stream of pulses that are readily interfaced with most electronic display or recording devices. This combination of materials and technology ensures a long life product with reliable operation throughout.