

# OG2 4L/Min Totaliser

## Technical Product data sheet



### OG2 4L/Min Totaliser

The OG2 oval gear totaliser is designed to give high performance with a low cost of ownership. It has a standard flow range from 0.1 to 4 L/Min on 30 Cstk oil or post mix syrup and 0.2 to 4 L/min on water like liquids. It can have totally non-metallic wetted components, PEEK™, ceramic and an elastomer which makes this the ideal choice for the metering of aggressive chemicals.

The standard inlet and outlet are 1/2" John Guest push in sockets. For OEM use alternatives are available. The standard model has a PPS body, 316 St St spindles, PTFE coated magnets and silicon/Nitrile 'O' ring seals.

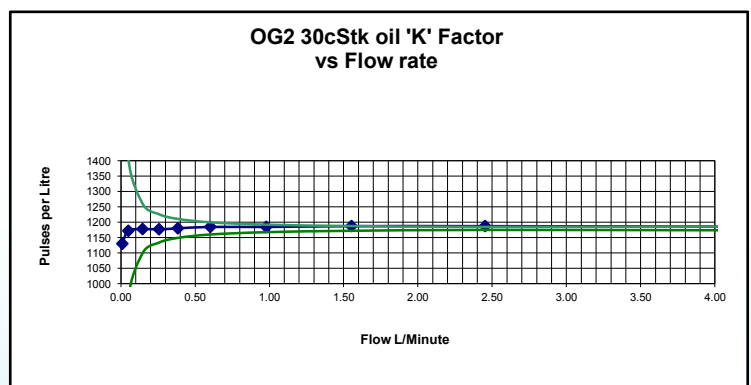
At the heart of the meter is a pair of toothed oval gears one of which contains chemically resistant PTFE coated magnets, the gears rotate freely on robust 316 stainless steel spindles. Rotation is detected through the chamber wall by a reed switch giving approximately 1100 pulses per litre passed. The display is a 6 digit totaliser with a Litre symbol as standard, other units are available for OEM customers e.g. Kgs, gals, etc. The electronic housing cover is moulded in tough polycarbonate. This combination of materials and technology ensures a long life product with reliable, accurate operation throughout its estimated 4 year battery life.

#### Features

- Excellent chemical resistance
- Low cost
- Individual calibration
- High viscosity capability
- Low pressure loss
- 1/2" John Guest fittings
- 4 year battery life
- 6 digit display with units
- Accuracy            2.0% FSD water,  
                             1.0% FSD oil
- 0.2% repeatability
- IP67/NEMA 4 protection
- 10 bar
- PPS body
- 316 St St spindles
- PEEK™ gears

#### Ideal for

- Post mix syrup
- Oil flow
- High viscosity fluids
- OEM equipment



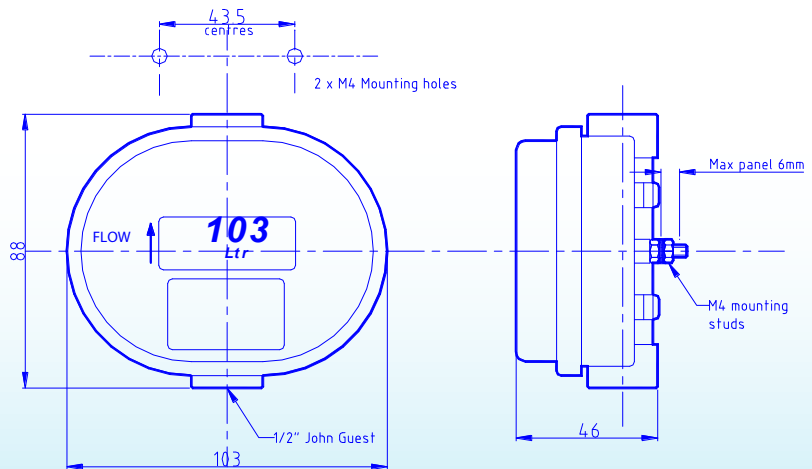
## OG2 4L/Min Totaliser

### Order Codes

Model	<b>OG2</b>
Body mat'l	<b>R</b> - PPS
Temp rating	<b>S</b> = 80°C 158°F
Pressure Rating	<b>1</b> - 10 Bar 150 PSI
Seal material	<b>S</b> - Silicon/Nitrile
Detector type	<b>R</b> - Reed switch H - Hall Effect
Pipe thread	<b>J</b> - 1/2" John Guest

Product codes →		Standard OG2-RS1-SRJ-T
Flow range	- Water - 30 cSt Oil	0.2 - 4.0 LPM 0.1 - 4.0LPM
Wetted materials	- Body - Gears - Seal - Magnet	PPS Carbon filled PEEK™ Silicon/Nitrile PTFE coated
Accuracy	- Water - 30 cSt oil	± 2.0 % FSD ± 1.0 % FSD
Repeatability		± 0.2%
Detector Type		Reed switch
Terminations		1/2" John Guest socket
Approx 'K' factor - Pulses/Litre		1100
Weight		0.285kg

e.g. A PPS meter rated at 80°C, 10 Bar, with silicon seal, reed switch detector and John Guest fittings would have the order code :- **OG2-RS1-SRJ-T**



OG2 Totaliser