

OG6 200L/Min Oval Gear Meter



The rugged OG6 oval gear flowmeter is designed to give high performance with a low cost of ownership. It has a standard flow range from 2.0 to 200 L/min on 30 cSt oil and 10 to 200 L/min on water like liquids. The standard inlet and outlet are 1½” female threads. For OEM use alternatives, including manifold mountings, are available. The standard models are 316 St St or Aluminium with Viton® ‘O’ ring seals.

At the heart of the meter are a pair of toothed oval gears one of which contains chemically resistant magnets. Rotation is detected through the chamber wall by a Hall effect detector or a reed switch giving approximately 21 pulses per litre passed. The output is an NPN pulse or a voltage free contact closure either of which is readily interfaced with most electronic display or recording devices. This combination of materials and technology ensures a long life product with reliable, accurate operation throughout.



IDEAL FOR

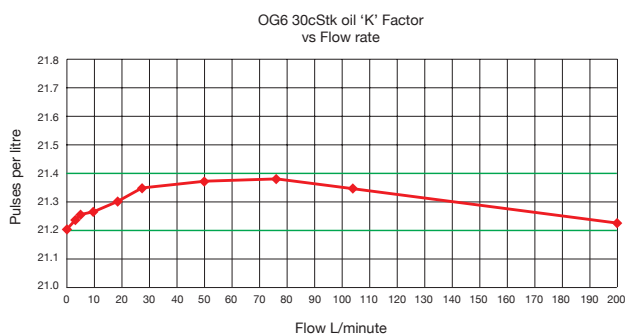
- Engine test
- Oil flow
- High viscosity fluids
- OEM equipment
- Hazardous areas



FEATURES

- Excellent chemical resistance
- Rugged construction
- Individual calibration
- High viscosity capability
- Low pressure loss
- No flow conditioning required
- Hall, reed switch or Namur sensor
- Accuracy 1.0% reading water
0.5% reading oil (30 cSt)
- ±0.5% reading *
- 0.1% repeatability
- IP67/NEMA 4 protection
- Models to 400 Bar

* When used with our metra-smart instrument





Ordering codes

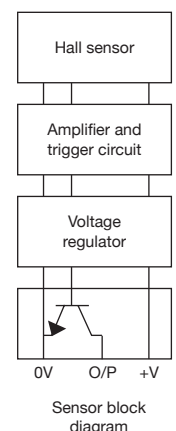
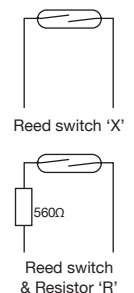
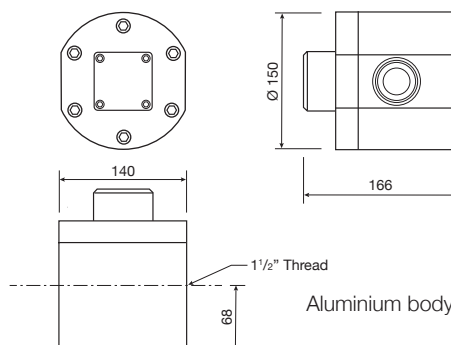
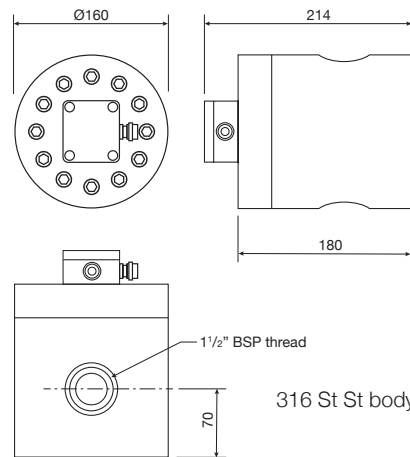
Model	OG6
Body material	S = 316 St St 50 bar std A = Aluminium 10 Bar max H = Hastelloy C
Temp rating	S = 80°C / 158°F T = 100°C / 212°F U = 150°C / 300°F
Pressure rating	5 = 50 Bar 750 PSI (St St) 1 = 10 Bar 150 PSI (Al) 4 = 400 Bar 5880 PSA (St St)
Seal Material	V = Viton® N = Nitrile E = EPDM P = PTFE (50 Bar max) K = Kalrez®
DetectorType	H = Hall effect R = Reed switch & Resistor N = Namur X = Reed switch (Hazardous area)
Pipe Thread	P = 1 1/2" (OG6 std)
Connections	B = BSP F N = NPT F F = Flanged (specify)

e.g. **OG6-SS5-VHP-B** is a stainless steel meter rated at 80°C, 50 Bar, Viton® seal, Hall effect detector and a 1 1/2" BSP thread.



TECHNICAL SPECIFICATIONS

Sample product codes →	Stainless standard OG6-SS5-VHP-B	Aluminium standard OG6-AS1-VHP-B
Flow range	- Water 10 - 200 L/min - 30 cSt Oil 2.0 - 200 L/min	10 - 200 L/min 2.0 - 200 L/min
Wetted matls	- Body 316 St St - Gears Carbon filled PEEK - Seal Vitoñ - Magnet Ceramic	Aluminium Carbon filled PEEK Vitoñ Ceramic
Accuracy	- Water ± 1.0% Reading - 30 cSt oil ± 0.5% Reading	± 1.0% Reading ± 0.5% Reading
Repeatability	± 0.1%	± 0.1%
Detector Type	Hall effect	Hall effect
Terminations	Terminal block P67 cable gland	Terminal block P67 cable gland
Approx 'K' factor Pulses/Litre	21	21



Weight (kg)

St St	50 Bar	8.000
PEEK	10 Bar	6.000
St St	400 Bar	12.000

SENSOVANT

Avenida Benjamin Franklin, 28 B - Parque Tecnológico de Valencia
46980 - Paterna, Valencia (España).

Tel: (+34) 968 162 005

Email: comercial@sensovant.com

Web: www.sensovant.com