

# R-Series™ Stainless-Steel Liquid Level Sensor



## Key Features

- SAE 5-Bolt Flange Mount
- Stainless-Steel Construction
- Available up to 500mm Long
- Suitable for use with Aggressive or Corrosive Liquids.
- 0-5V Analogue Output
- -40°C to +125°C Operating Temperature
- Factory Calibrated
- Solid-State Capacitive Technology



The R-Series Stainless-steel Liquid Level Sensor is designed specifically for use with aggressive or corrosive liquids including salt water, coolant, acids and chemical-based liquids. The sensor features an SAE 5-bolt mounting pattern and is manufactured to your custom length requirement up to 500mm.

The sensor provides a fully configurable 0-5V analogue output, which is typically calibrated 0.25V empty, 4.75V full. Each sensor is factory calibrated in your liquid type (or equivalent).



### Electrical

Supply Voltage	+6VDC to +24VDC
Supply Current	<10mA @12V
Serial Interface	RS232 (+5V)
Resolution	10 bit
Sample Rate	10Hz, 40Hz & 80Hz

### Analogue Output

Voltage Output Range	0.25V - 4.75V over sensing range
Range Accuracy	±1% of medium depth @20°C

### Wiring

Wire	0.5m flying lead unless specified
Wiring Gauge	Typically 26 AWG Raychem type SS (options up to 20 AWG if requested)
Cable Material Compatibility	Wiring sleeved with either Fluoroelastomer or Raychem DR25, or customised to customer specifications

### Mechanical

Probe Length	80 - 500mm (customer to specify)
Mounting	SAE 5-bolt pattern
Weight	From 280g (dependant on length)

### Environmental

Protection Class	IP67
Operational Temperature	-40°C to +125°C
EMC Immunity Level	SAE J1113/2 1996
Main Construction	Stainless-steel

### Compatible Medium

Fuel	Gasoline, Unleaded, LRP, Jet Fuel, Avgas
Oil	Engine oils, transmission oils, steering & hydraulic fluids, Diesel, Heavy Oil
BioFuel	Ethanol E100, E85, E50, E10 Methanol
Other	Salt water, Coolant, Acids. Please consult Gill for other liquid compatibilities

# R-Series™ Stainless-Steel Liquid Level Sensor

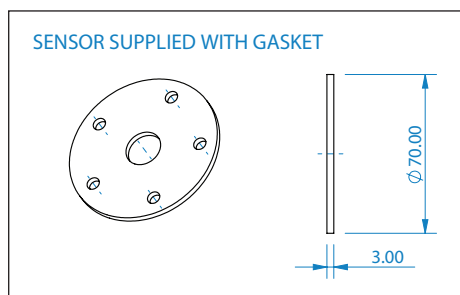
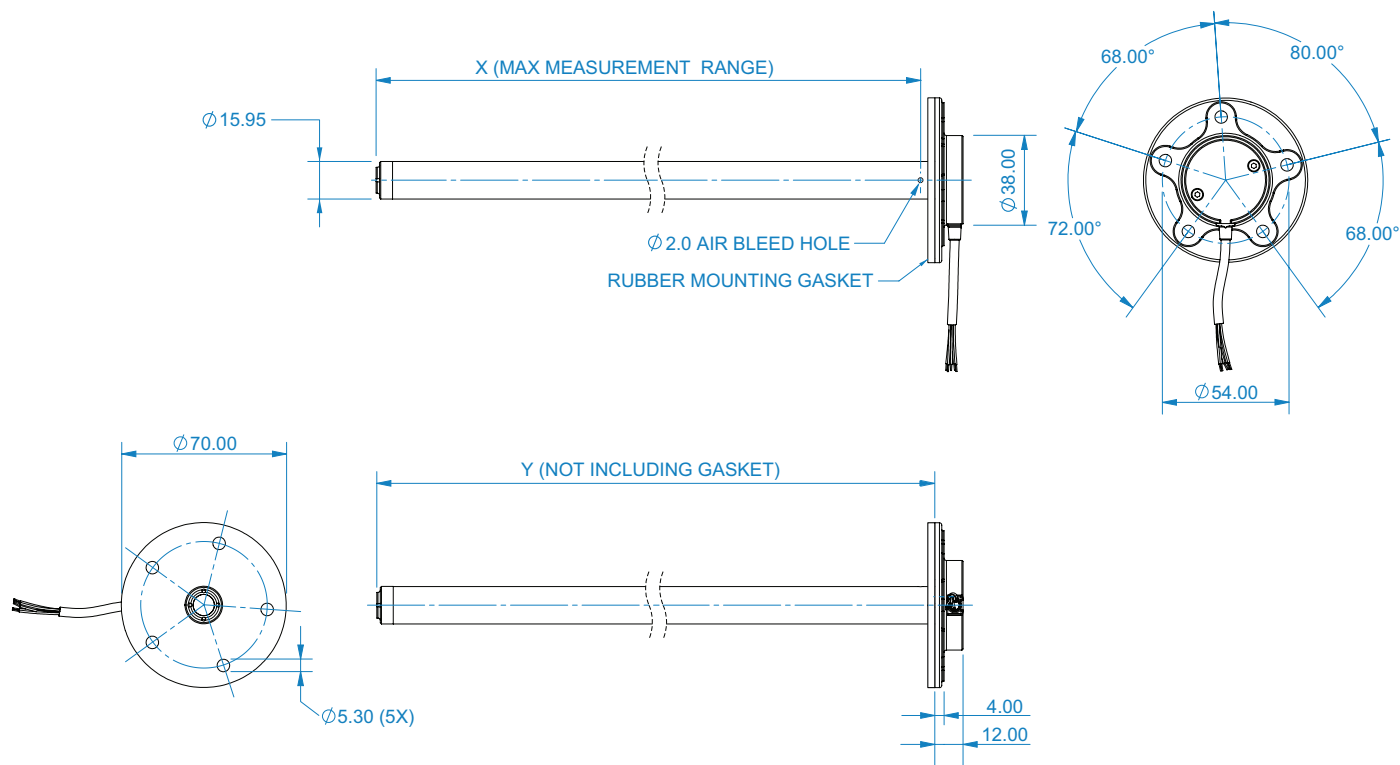
## Wiring

	Red	V+ (Power)
	Black	V- (GND)
	Orange	Analogue signal 0.25V to 4.25V
	Green	Serial Rx
	White	Serial Tx

## Part Number

1612-00-018

Dimensions X & Y are customer specified



**Gill Sensors**  
Saltmarsh Park  
67 Gosport Street  
Lymington  
Hampshire  
SO41 9EG, UK

T: +44 (0) 1590 613 400  
F: +44 (0) 1590 613 401  
E: info@gillsensors.co.uk

[www.gillsensors.co.uk](http://www.gillsensors.co.uk)



Copyright © Gill Sensors 2012  
LD1612-02 - Iss 2  
Gill Research & Development Ltd  
Reg No. 3154453 Registered Office: The George Business Centre, Christchurch Road, New Milton, BH25 6QJ