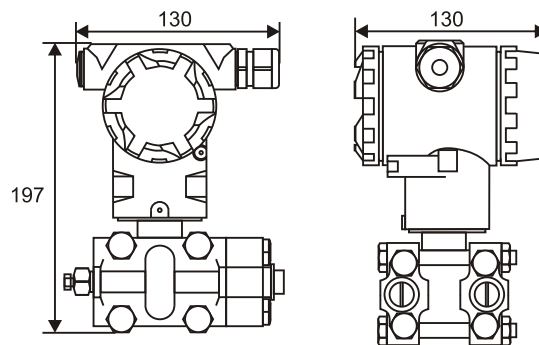


Description & Features:

- Pressure range : 0~1kPa and 0~25MPa
- Excellent long-term stability
- High overpressure
- Suitable for all the bad industry environment
- Application: process control, chemical industry



Dimensions (mm)



Technical Specifications

Pressure range	GP: 0~1kPa and 0~25MPa, AP: 0~6kPa and 0~6.8MPa, DP: 0~0.16kPa and 0~6.8MPa			
Static pressure	Lowest 1MPa, Highest 32MPa(is related to the specific measurement range)			
Accuracy	0.075%F.S., 0.2%F.S., 0.5%F.S.			
Power voltage	13~45VDC, 24VDC			
Output signals	4~20mA, 1~5VDC, HART, customer			
Thermal effect	Compensation Temperature	Media Temperature	Environment Temperature	Storage Temperature
	0~50°C, -10~80°C, customer	-25~85°C	-30~85°C	-40~125°C
Temperature Influence	0.02%F.S./°C			
Electrical Connection	Terminals, customer			
Protection class	IP67			
Mechanical Connection	M20×1.5(M), 1/2NPT(F), 1/4NPT(F), customer			
Vibration	20g, 20~5000HZ			
Shock	100g, 11ms			
Housing material	Aluminum alloy			
Operating life	> 1×10 ⁸ Pressure Cycling			