

EE371

Compact Dew Point Temperature Transmitter / Switch

The exact monitoring of dew point temperature in compressed air systems, dryers for plastic and other industrial processes is becoming increasingly more important.

EE371 series with a measuring range $-60...60^{\circ}\text{C Td}$ ($-112...140^{\circ}\text{F Td}$) is the ideal solution for such applications.

The core of the transmitter is the monolithic measurement cell type HMC01, developed by E+E Elektronik in thin-film technology.

An autocalibration procedure which is integrated in the device and years of experience in low humidity adjustment make an accuracy of $<2^{\circ}\text{C Td}$ ($\pm 3.6^{\circ}\text{F Td}$) possible.

The compact construction in a robust aluminium housing and the numerous options allow easy mounting and many application possibilities.



EE371

Autocalibration

Dew point temperatures in the range of $-60...-20^{\circ}\text{C}$ ($-76...-4^{\circ}\text{F}$) at room temperature correspond to relative humidity values of 0.08...5.37% RH. The measurement of these low humidity values is not possible with conventional capacitive measurement methods. For the EE371 series a special autocalibration procedure is utilized to achieve high accuracy measurements at lowest dew points too.

Outputs

Model T: The transmitter has two freely selectable and scaleable outputs for dew point, frost point or ppm volume concentration.

Model S: The switch with two relay outputs is designed for control and alarm purposes. The status for early warning and main alarm is indicated by LED's. Adjustment of the Td/Tf set point and hysteresis can be achieved with the optional configuration software.

Configuration Software

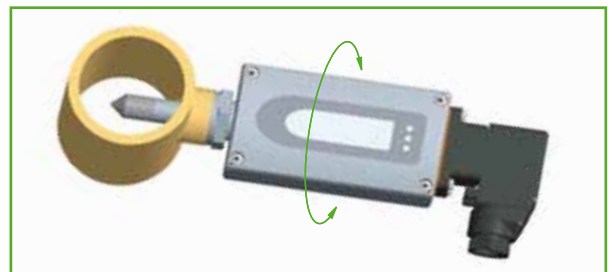
The optional configuration software allows flexible and easy adjustment of the analogue resp. relay outputs to the respective requirements.

The adjustment / calibration of the transmitters can easily be performed.

Screw Connection for Mounting - 360° positionable

The construction of this screw connection enables any position / rotation of the mounted transmitter.

So an optimal position of the display resp. the cable outlet is guaranteed.



Typical Applications

monitoring of compressed air systems
refrigerant type dryer
absorption dryer
plastics dryer

Features

measuring range $-60...60^{\circ}\text{C Td}$ ($-76...140^{\circ}\text{F Td}$)
accuracy of measurement $\pm 2^{\circ}\text{C Td}$ ($\pm 3.6^{\circ}\text{F Td}$)
two Td/Tf alarm outputs
autocalibration
pressure tight up to 100 bar (1450psi)

Technical Data

Measuring Quantities

Dew point (Td)

Dew point sensor

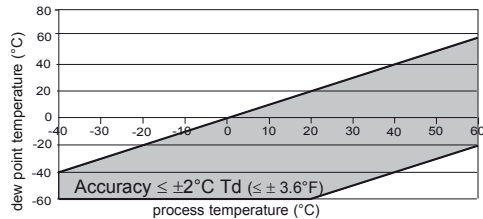
Measuring range

Accuracy

HMC01

-60...60°C Td (-76...140°F Td)

Traceable to intern. standards, administrated by NIST, PTB, BEV...



Response time t_{90}

80 sec. -20°C Td → -40°C Td (-4°F Td → -40°F Td)

10 sec. -40°C Td → -20°C Td (-40°F Td → -4°F Td)

Volume concentration

Measuring range

20...200,000ppm

Accuracy at 20°C (68°F) and 1013mbar

±(5 ppm + 9 % from measured value)

Outputs

EE371-Tx two freely selectable and scaleable analogue outputs for Td, Tf, Wv

0 - 1V / 0 - 5V / 0 - 10V¹⁾ -1mA < I_L < 1mA

4 - 20mA / 0 - 20mA R_L < 500 Ohm¹⁾

EE371-Sx Alarm output

2 potential-free relays (NC)

30V DC 0.6A / 35V AC 0.3A (resistive)

General

Supply voltage

10...30V DC

Current consumption at 24V DC

voltage output: typ. 40mA / during autocalibration: 100mA

current output: typ. 80mA / during autocalibration: 140mA

Pressure range

0...20bar (0...290psi) / 0...100bar (0...1450psi)

System requirements for software

WINDOWS 2000 or later; serial interface

Serial interface for configuration

RS232C

Housing / protection class

Al Si 9 Cu 3 / IP65

Electrical connection

7-pole industrial plug: DIN VDE 0627 / IEC 61984

cable cross-section: 0.25 - 1 mm²

cable connection: PG 11

Sensor protection

stainless steel sintered filter

Working temperature range

probe: -40...70°C (-40...158°F)

electronic: -40...60°C (-40...140°F)

with LC display: -20...50°C (-4...122°F)

Storage temperature range

-40...60°C (-40...140°F)

Electromagnetic compatibility according to

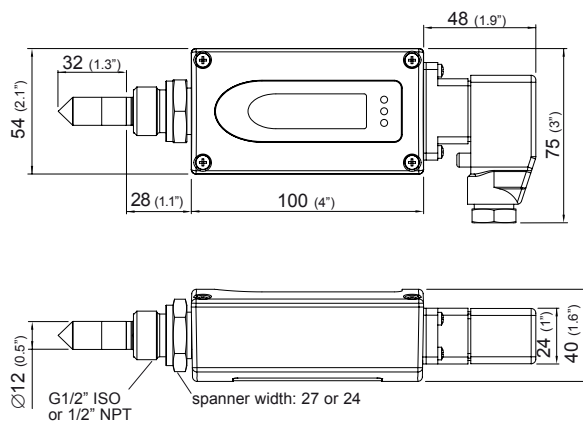
EN 61326-1 EN61326-2-3 ICES-003 ClassB

Industrial Environment FCC Part15 ClassB



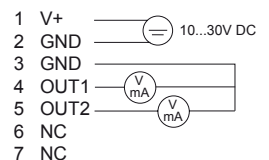
1) minimum supply voltage 15V DC

Dimensions (mm)

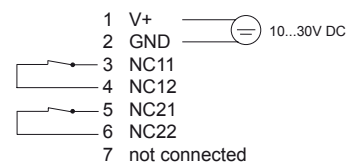


Connection Diagram

analogue output



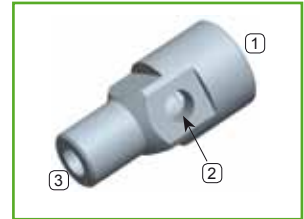
relay output



Basic Sampling Cell

The basic sampling cell offers the possibility to integrate the EE371 into an existing or self-constructed sampling system.
Pressure range: 0...64 bar (0...928 psi)

- 1 = G 1/2" ISO or 1/2" NPT
- 2 = G 1/4" ISO or 1/4" NPT
- 3 = G 1/4" ISO or 1/4" NPT



Sampling Cell with Quick Connector

The sampling cell is specially developed for use in compressed air lines and has a quick-connector suitable for standard compressed air connections. It allows for the cell to be fitted and removed without interrupting the process. The flow of gas can be adjusted using a bleed screw.
Pressure range: 0...10 bar (0...145 psi)

- 1 = G 1/2" ISO
- 2 = Bleed screw
- 3 = Quick connector



Ordering Guide

		EE371-		EE371-			
Hardware Configuration							
Model	transmitter switch		T	S			
Pressure range	up to 20bar up to 100bar (1450psi)		E I	E I			
Pressure tight feedthrough	G1/2" male thread 1/2" NPT thread		HA03 HA07	HA03 HA07			
Display	without display with display		D08	D08			
Software Configuration							
Physical parameters of the outputs/relays	dew point temperature	Td	[°C/°F]	(C)	output/relay 1	select according to Ordering Guide(C,D,P)	
	frost point temperature	Tf	[°C/°F]	(D)	output/relay 2	select according to Ordering Guide(C,D,P)	
	volume concentration	Wv	[ppm]	(P)			
Type of output signals	0-1V					1	
	0-5V					2	
	0-10V					3	
	0-20mA					5	
	4-20mA					6	
Measured value units for T / Td / Tf	metric/SI					E01	E01
	non metric /US						
Scaling of Td/Tf-output (in °C or °F)	-40...60 (Td/Tf02) -10...50 (Td/Tf03)	-60...20 (Td/Tf65)		Other Td/Tf-scaling refer to data sheet „Scaling of the outputs“		select according to Ordering Guide (Tdx / Tfx)	
ppm range Wv	0...100ppm (X01) 0...500ppm (X02) 0...1000ppm (X03)	other measurement range: _____				select according to Ordering Guide	
Setting of alarm output	standard for configuration CC	R1: -40 °C (-40°F) R2: -35°C (-31°F) H1: 2 °C (35.6°F) H2: 2°C (35.6°F)					
	other set points	relay 1: _____ relay 2: _____ hysteresis 1: _____ hysteresis 2: _____					SP

Order Example

EE371-TEHA07D08/CD2-Td/Tf03

Model: transmitter
Pressure range: up to 20bar (290psi)
Pressure tight feedthrough: 1/2" NPT thread
Display: with display

Output 1: Td
Output 2: Tf
Output signal: 0-5V
Measured value unit: metric
Scaling of output: -10...50°C

Scope of Supply

- EE371 Transmitter according to Ordering Guide
- Operation Manual
- Inspection certificate according to DIN EN10204 - 3.1

Accessories

- | | |
|--------------------------------------|---|
| - Sampling cell with quick connector | (HA050102) |
| - Basic sampling cell ISO | (HA050103) |
| - Basic sampling cell NPT | (HA050105) |
| - Display | (D08) |
| - Stainless steel sintered filter | (HA010103) |
| - Product configuration adapter | see data sheet EE-PCA |
| - Product configuration software | EE-PCS (free download: www.epluse.com/configurator) |