

EE10-04

Dew Point Room Transmitter

EE10 dew point room transmitters are the ideal solution for indoor applications such as HVAC Systems in residential and commercial buildings.

The very stylish, functional housing allows for service purposes easy installation and fast exchange of the sensing unit.

The high quality E+E humidity sensor and state-of-the-art microprocessor controlled electronics guarantee the best accuracy and long term performance.



EE10-04

Typical Applications

building management for residential and office areas
air conditioning
switching cabinets
climate control in hotels and museums

Features

excellent price / performance ratio
easy installation
modern design
long term stability
display
traceable calibration

Technical Data

Measuring Quantities

Dew Point

Working range	0...80 Td °F
Accuracy at 68 °F (20°C); 48 Td°F (9 Td°C); U=24V DC and 50 %RH	±1.26 Td°F (0.7 Td°C) traceable to intern. standards, administrated by NIST, PTB, BEV...
Temperature dependence at 73,4°F (23°C)	typical 0.33 Td°F (0.18 Td°C)

Temperature (active output)

Accuracy at 68°F (20°C) and U=24VDC	±0.72°F (±0.4°C)
-------------------------------------	------------------

Outputs

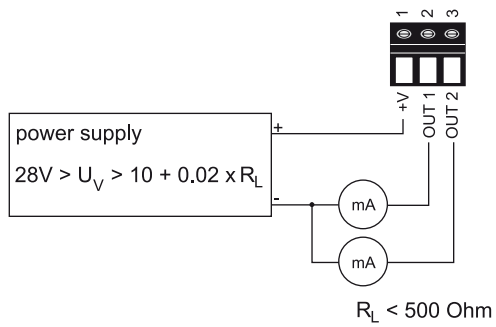
4 - 20mA (two wires)	$R_L < (U_s - 10) / 0.02 < 500 \text{ Ohm}$
Output 1: dew point Td	4...20mA = 0...80°F (-17.78...26.67°C)
Output 2: temperature T	4...20mA = 32...120°F (0...48.89°C)

General Data

Voltage supply (U _s)	28V DC > U _s > 10 + 0.02 x R _L (R _L < 500 Ohm)	
_____ for 4 - 20 mA		
Electrical connection	screw terminals max. 1.5 mm ² (AWG 16)	
Display	dew point / temperature alternating	
CE compatibility according	EN 61000-6-1	FCC Part15 ClassB
	EN 61000-6-3	ICES-003 ClassB
Temperature ranges	working temperature range:	23...131°F (-5...55°C)
	storage temperature range:	-13...140°F (-25...60°C)

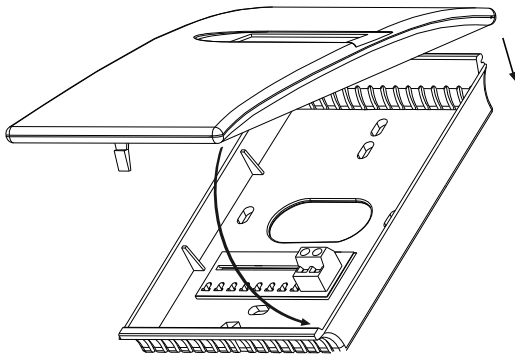


Connection Diagram



Dimensions (mm)

Housing color: Cover: RAL 9003 (signal white)
 Back: RAL 7035 (light grey)



W x H x D = 3.3" x 5.4" x 1"