



Features

- Excellent C/P ratio (cost/performance)
- High-resolution color touch screen
- PoE (Power over Ethernet)
- RTC (Real Time Clock)
- Free HMIWorks development tool
- Supports C programming language and Ladder Designer
- Supports the custom communication protocol (C language)
- Modbus TCP/RTU protocol



Introduction

TPD 7 inch series is a series of tiny touch HMI and designed for building and home automation. TPD 7 inch series is equipped with high resolution TFT color touch screen and fits in with regular electrical wall-mount outlet. Besides, it is seamlessly integrated with rich I/O modules and presents beautiful, flexible and user-defined picture frame. In short, it is the best choice to upgrade the mechanical switch to intelligent control pads.

For PLC users, HMIWorks provides Ladder Designer, and for IT users, C language environment is provided. Especially, it only takes no more than 30 minutes to learn how to create an application program of TPD-series devices when using Ladder Designer.

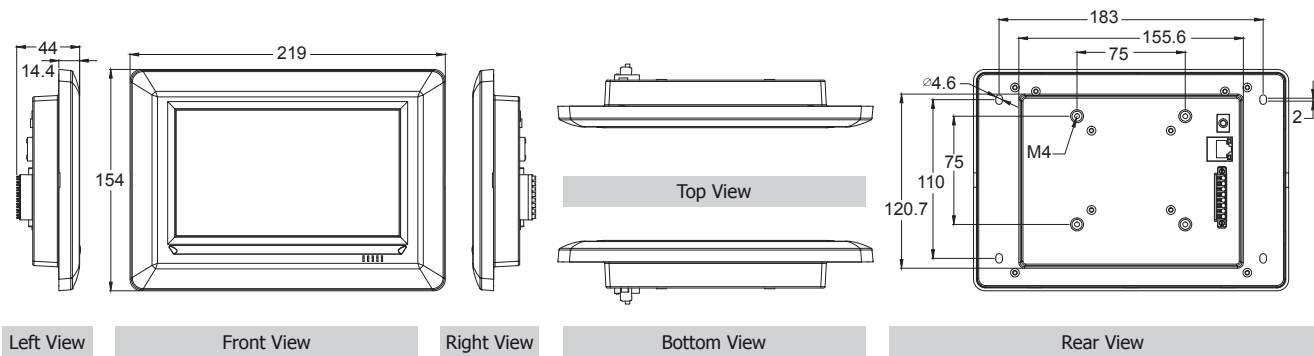
Specifications

| Models | TPD-703 | TPD-703-64 |
|-------------------------------------|---|---|
| CPU Module | | |
| CPU | 32-bit RISC CPU | |
| Memory Expansion | 16 MB SDRAM/16 MB Flash | 64 MB SDRAM/64 MB Flash |
| Real Time Clock (RTC) | Yes | |
| Buzzer | Yes | |
| Rotary Switch (0 ~ 9) | Yes | |
| Communication Interface | | |
| Serial Port | COM1 | RS-485 (including Self-Tuner) ; Non-isolation |
| | COM2 | RS-232 (3-pin) ; Non-isolation |
| Ethernet | RJ-45 x 1, 10/100 Base-TX | |
| MMI (Main Machine Interface) | | |
| LCD | 7" TFT (Resolution 800 x 480 , 65535 colors), defective pixels <= 3 | |
| Backlight Life | 20,000 hours | |
| Brightness | 250 cd/m2 | 400 cd/m2 |
| Touch Panel | 4-wire, analog resistive; Light Transmission: 80% | |
| Reset Button | Yes | |
| Electrical | | |
| Powered from Terminal Block | +12 ~ 48 VDC | |
| Powered from PoE | IEEE 802.3af, Class1 (48 V) | |
| Power Consumption | 3.6W | |
| Mechanical | | |
| Dimensions (W x L x H) | 217 mm x 153 mm x 33 mm | |
| Installation | Wall Mount | |
| Ingress Protection | Front Panel: IP40 | |
| Environmental | | |
| Operating Temperature | -10 ~ +60°C | |
| Storage Temperature | -20 ~ +70°C | |
| Ambient Relative Humidity | 10 ~ 90% RH, non-condensing | |

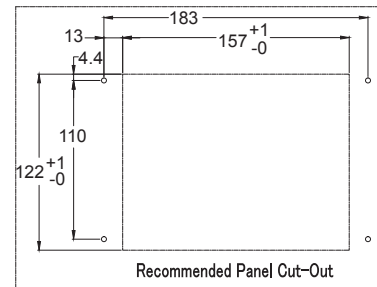
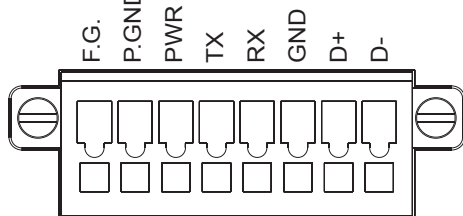
Appearance



Dimensions (Units: mm)



Pin Assignments






Wall Mounting

Ordering Information

| | |
|----------------------|---|
| TPD-703 CR | 7" Touch HMI device with RS-232 (3-pin, Non-isolation), RS-485 (including Self-Tuner, Non-isolation), RTC, Ethernet, PoE (RoHS) |
| TPD-703-64 CR | 7" Touch HMI device with RS-232 (3-pin, Non-isolation), RS-485 (including Self-Tuner, Non-isolation), RTC, Ethernet, PoE (RoHS) |

Accessories

| | | |
|---|---------------------|---|
|  | 1C016 | 2.4 mm Screw driver |
|  | NS-208PSE CR | Unmanaged Industrial PoE (Power over Ethernet) Ethernet Switch (RoHS) |
|  | MDR-60-24 CR | 24 Vdc/2.5 A, 60 W Power Supply with DIN-Rail Mounting (RoHS) |