

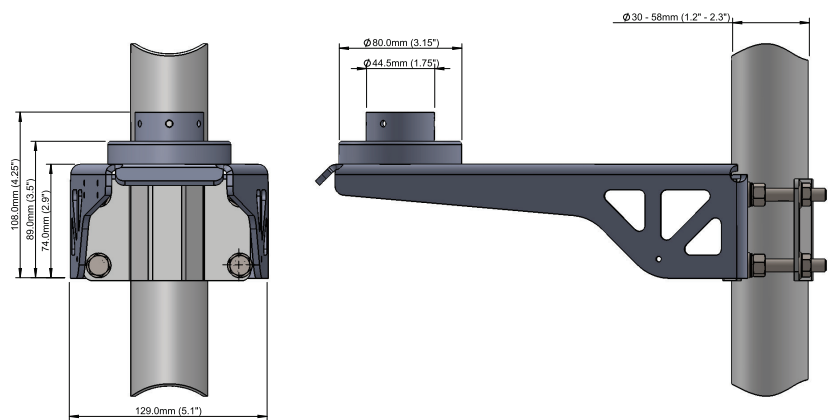
**Mounting Brackets are available for WindSonic, WindObserver and MaxiMet products. All Mounting Brackets are manufactured from high grade aluminium with aluminium or stainless steel sensor mounts and can be wall or pole mounted.**

## Bracket Features

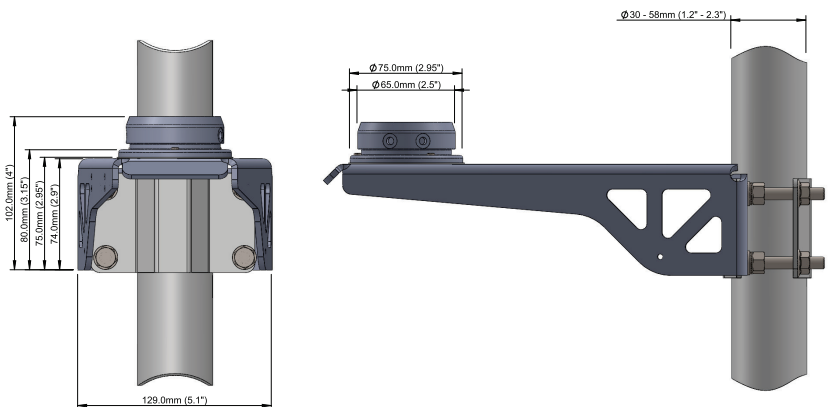
**WindSonic / MaxiMet.** Anodized aluminium bracket including an aluminium sensor mount all anodized to reduce corrosion. Includes stainless steel mounting bolts, multiple earth points and wall / pole mounting kit.

**WindObserver.** Anodized aluminium bracket with 316 grade stainless steel sensor mount with isolation gasket to reduce corrosion. Includes stainless steel mounting bolts, multiple sensor earth points and wall / pole mounting kit.

### WindSonic / MaxiMet Bracket



### WindObserver Bracket



BRACKET	
Wind Speed Survival	90-95m/s*
Vibration	IEC60945*
Salt / Corrosion	BS EN 60068-2-52*
Pole Mount Size	Pole diameters 30 to 58 mm

\*Based on MetPak bracket testing.

Specifications may be subject to change without prior notice