

IC4

USB-RS485 converter

IC4 is a bidirectional interface adapter which allows connecting any RS485-device to the USB port of your notebook or PC. It provides reliable galvanic isolation between the interfaces. The device is powered directly through the USB port.

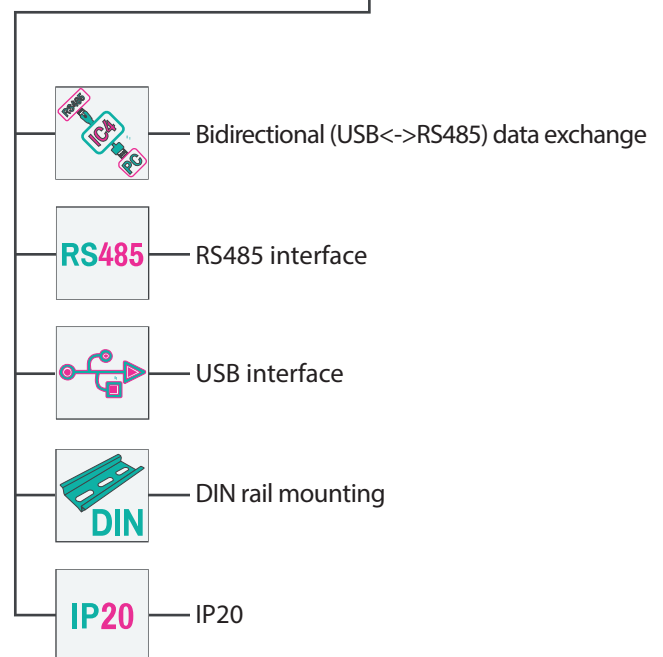
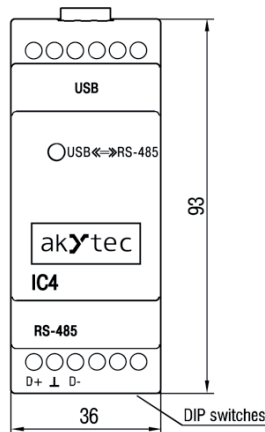
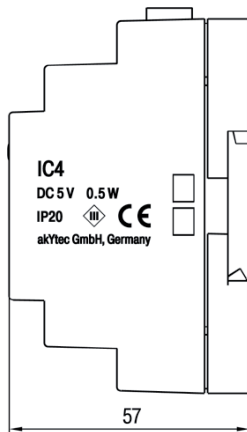
Functions and features:

- Bidirectional (USB<->RS485) data exchange
- ADDC (Automatic Data Direction Control) - no flow control is required
- Galvanic isolation between interfaces
- Port-powered from PC's USB—no power supply unit is needed
- Power/Transmit LED indicator
- Operating systems:
 - Windows XP/Server 2003/Vista/7/8/8.1/10
 - Mac OS X
 - Linux 2.6.x/3.x.x l



Free of charge software included

Dimensions:



IC4

Technical Data:

Power supply		over USB (5V)
Power consumption, max.		0.5 W
Galvanic isolation		1500 V
USB interface		
	Specification	USB 2.0
	Terminals	D+, D-
	Baud rate	up to 115.2 kbit/s
	Cable length, max.	3 m
RS485 interface		
	Specification	TIA/EIA-485
	Terminals	D+, D-
	Number of devices in the network, max.	32
	Cable length, max.	1200 m
Dimensions		36 x 93 x 57 mm
Weight		approx. 65 g

Wiring:

