

Custom Gearbox/Wheel Speed Sensor

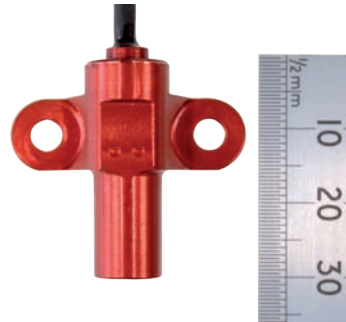


Key Features

- Zero Speed to 20KHz
- No Moving Parts
- High Temperature Operation to 150°C
- Robust
- Thermally Stable
- Compact
- Lightweight

The Speed Sensor uses a dual element hall effect device to detect changing magnetic fields in the presence of a toothed ferrous metal target wheel. Tried and proven in F1 championship gearboxes, it is suitable for either gearbox or wheel speed sensing.

With a robust fully encapsulated construction, unique internal design and sealing method, the sensor may be fully immersed in oil at high temperature without reduction in performance.



RoHS 
Compliant

Specification

Electrical

| | |
|--------------------|-----------------|
| Supply Voltage | +5VDC to +20VDC |
| Supply Current | <10mA |
| Frequency Response | 0 to 20 KHz |
| Output | Open Collector |

Connections

| | |
|-----------|---|
| Wiring | Raychem Type 55 24AWG with Viton sleeving |
| Connector | Unterminated |

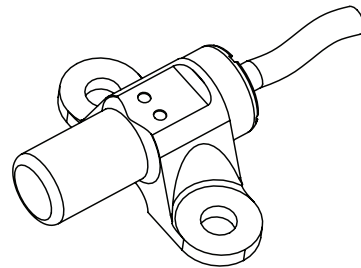
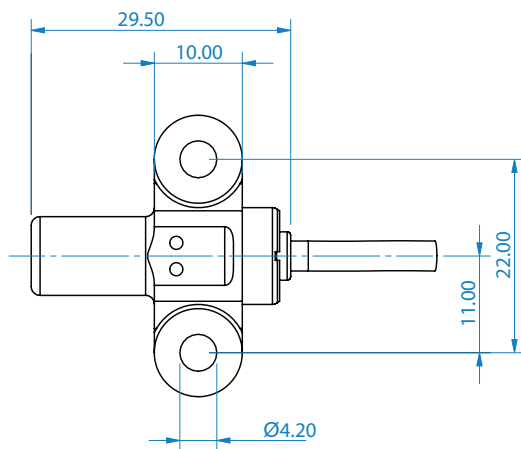
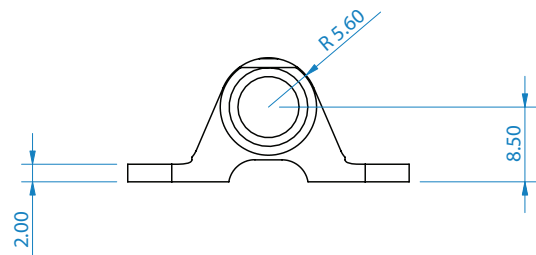
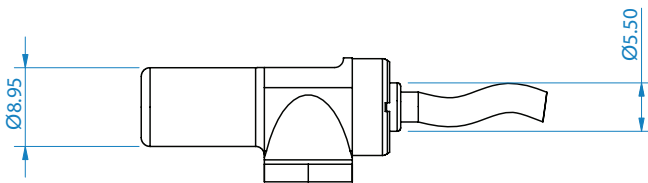
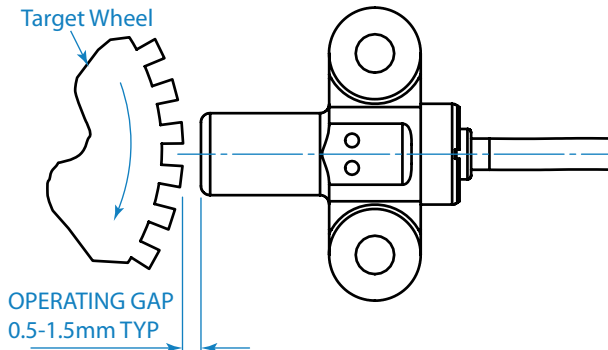
Mechanical

| | |
|------------------|--|
| Size | 41mm x ø22.25mm |
| Mounting | M14 x 1.0 Thread (or customer specified) |
| Weight | from only 25g |
| Sensor Materials | Aluminium - anodised |


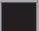

Environmental

| | |
|-------------------------|---|
| Protection Class | IP68 |
| Operational Temperature | -20°C to +150°C |
| EMC Immunity Level | SAE J1113/2 1996 design guideline |
| Vibration | 40g per axis (50-2500Hz) |
| Finish | Anodised to DEF STAN 025 |
| Compatible Medium | Petroleums, Oils, General Automotive Fluids |

Custom Gearbox/Wheel Speed Sensor



Wiring

| | | |
|---|-------------|---|
|  | Red | +4.8 VDC to +32 VDC Supply |
|  | Black | System & Power Ground (GND) |
|  | Green/White | Serial Comms Input (Rx), RS485 Compatible |



Gill Sensors
Saltmarsh Park
67 Gosport Street
Lymington
Hampshire
SO41 9EG, UK

T: +44 (0) 1590 613 400
F: +44 (0) 1590 613 401
E: info@gillsensors.co.uk

www.gillsensors.co.uk



Copyright © Gill Sensors 2011
SD1616 - Iss 1
Gill Research & Development Ltd
Reg No. 3154453 Registered Office: The George Business Centre, Christchurch Road, New Milton, BH25 6QJ