

+ Datasheet Accessories



Content

Filter Caps	3
Mounting Flanges	7
LC Displays	11
Sampling Cells	12
Drip Water Protection	15
Protection Caps	15
Radiation Shields.....	16
Mounting and Connection Elements.....	20
Reference Probes.....	23
Interface Cables	24
Converters and Configuration Adapters	26
Connectors	29
Connection Cables	31

Filter Caps

Humidity and Dew Point Sensors with Probe Diameter 12 mm (0.47")

The selection of the correct filter for the respective application is essential for the long-term flawless operation of the sensor. If you need assistance, please contact your local E+E representative: www.epluse.com.

Membrane Filter Cap, Polycarbonate Body



Construction

- Body: PC (Polycarbonate)
- Filter: PTFE (Polytetrafluoroethylene) membrane
- Pore size: 1 µm
- Length: 34 mm (1.34")

Order code

HA010101
(light grey -
RAL7035)
HA010118
(black)

Features

- Excellent protection against fine dust
- Temperature range:
-40...+80 °C (-40...+176 °F)
- Response time $t_{10/90}$: 15 s

Applications

- Building automation
- Dusty environment

Metal Grid Filter Cap, Polycarbonate Body



Construction

- Body: PC (Polycarbonate)
- Filter: Stainless steel wire mesh
- Pore size: 30 µm
- Length: 34 mm (1.34")

Order code

HA010106
(light grey -
RAL7035)
HA010119
(black)

Features

- For high RH/condensing environment, low mechanical stress and low pollution level
- Temperature range:
-40...+120 °C (-40...+248 °F)
- Response time $t_{10/90}$: 15 s

Applications

- Climate control
- Dryers and humidifiers
- HVAC

Stainless Steel Sintered Filter Cap



Construction

- Material: Stainless steel sintered
- Pore size: 10 µm
- Length: 33 mm (1.30")

Order code

HA010103
(for plastic
probes)
HA010117
(for metal
probes)

Features

- For high mechanical stress and strong pollution
- Temperature range:
-40...+180 °C (-40...+356 °F)
- Response time $t_{10/90}$: 30 s

Applications

- Industrial process control
- Agriculture
- Life stock barns

PTFE (Polytetrafluoroethylene) Filter Cap



Features

- For very dirty, oily environment
- Temperature range:
-40...+180 °C (-40...+356 °F)
- Response time $t_{10/90}$: 14 s

Construction

- Material: PTFE sintered
- Pore size: 50 μ m
- Length: 33 mm (1.30")

Order code

HA010105

Applications

- Industrial process control
- Chemical industry
- Very polluted environment

Stainless Steel Grid Filter Cap, Stainless Steel Body, up to 180 °C (356 °F)



Features

- For high RH/condensing environment
- Low mechanical stress
- Low pollution level
- Temperature range:
-40...+180 °C (-40...+356 °F)
- Response time $t_{10/90}$: 15 s

Construction

- Body: Stainless steel
- Filter: Stainless steel wire mesh
- Pore size: 30 μ m
- Length: 39 mm (1.54")

Order code

HA010109

Applications

- Industrial process control
- Clean rooms

Metal Grid Filter Cap for EE08, Polycarbonate Body



Features

- For high RH/condensing environment
- Low mechanical stress
- Low pollution level
- Temperature range:
-40...+120 °C (-40...+248 °F)
- Response time $t_{10/90}$: 15 s

Construction

- Body: PC (Polycarbonate)
- Filter: Stainless steel wire mesh
- Pore size: 30 μ m
- Length: 25 mm (1")

Order code

HA010113

Applications

- Meteorology, outdoor
- Climate control

PTFE (Polytetrafluoroethylene) Membrane Filter Cap, Stainless Steel Body



Construction

- Body: Stainless steel
- Filter: PTFE membrane, replaceable
- Pore size: 2 µm
- Length: 39 mm (1.54")

Order code

- HA010114**
(complete filter)
- HA010114ME**
(PTFE membrane)

Features

- For high RH / condensing environment
- High pollution level
- Temperature range: -40...+180 °C (-40...+356 °F)
- Response time $t_{10/90}$: 14 s
- Water ingress pressure >0.5 bar (>7.25 psi)

Applications

- For EE260, HTS801-T28 in:
 - Meteorology, outdoor
 - Climate control
 - Highly humid environments

H₂O₂ (Hydrogen Peroxide) Filter Cap



Construction

- Material: PTFE (Polytetrafluoroethylene) sintered
- Pore size: 50 µm
- Length: 33 mm (1.30")

Order code

- HA010115**

Features

- Catalytic filter for H₂O₂ environment
- Temperature range: -40...+180 °C (-40...+356 °F)
- Response time $t_{10/90}$: 14 s

Applications

- Pharma
- Biotech
- Sterilization with H₂O₂

Moisture in Oil Sensors with Probe Diameter 12 mm (0.47")

Perforated Stainless Steel Filter Cap for Flow Rates <1 m/s (<3.3 ft/s)



Construction

- Material: Stainless steel
- Perforation: Ø3 mm (0.12")
- Length: 32 mm (1.26")

Order code

- HA010110**

Features

- For moisture in oil measuring devices
- For flow <1 m/s (3.3 ft/s)

Applications

- Hydraulic, lubrication and isolation oil monitoring

Perforated Stainless Steel Filter Cap for Flow Rates >1 m/s (>3.3 ft/s)



Construction

- Material: Stainless steel
- Perforation: Ø1.5 mm (0.06")
- Length: 32 mm (1.26")

Order code

- HA010111**

Features

- For moisture in oil measuring devices
- For flow >1 m/s (3.3 ft/s)

Applications

- Hydraulic, lubrication and isolation oil monitoring

EE872 CO₂ Probe with Ø25 mm (0.98")

PTFE (Polytetrafluoroethylene) Filter Cap



Features

- Standard filter for EE872 CO₂ probe
- Temperature range: -40...+60 °C (-40...+140 °F)

Construction

- Material: PTFE sintered
- Pore size: 50 µm
- Length: 62 mm (2.44")

Applications

- Greenhouses
- Agriculture
- Outdoor CO₂ monitoring

Order code

HA010123

H₂O₂ (Hydrogen Peroxide) Filter Cap



Features

- Catalytic filter for EE872 CO₂ probe in H₂O₂ environment
- Temperature range: -40...+60 °C (-40...+140 °F)

Construction

- Material: PTFE (Polytetrafluoroethylene) sintered
- Pore size: 50 µm
- Length: 62 mm (2.44")

Applications

- Pharma
- Biotech
- Sterilization with H₂O₂

Order code

HA010124

PTFE (Polytetrafluoroethylene) Membrane Filter Cap



Features

- Optimised filtration performance for demanding environments where both particles and liquids must be reliably retained (e.g. environments containing sulphur).
- Temperature range: -40...+60 °C (-40...+140 °F)

Construction

- Material: PET with PTFE membrane
- Length: 62 mm (2.44")

Applications

- Greenhouses
- Agriculture
- Barns

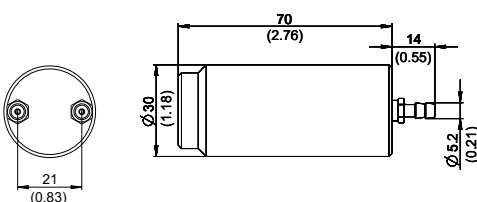
Order code

HA010135

Protection Cap/Calibration Adapter



Dimensions in mm (inch)



Construction

- Material: PET (Polyethyleneterephthalate)

Description

- Inner diameter of the attachable hose 5 mm (0.2")

Applications

- Calibration
- Sensor protection

Features

- Temperature range: -40...+60 °C (-40...+140 °F)

Order code

HA010785

Mounting Flanges

Plastic Mounting Flange, Ø12 mm (0.47"), Light Grey (RAL7035)



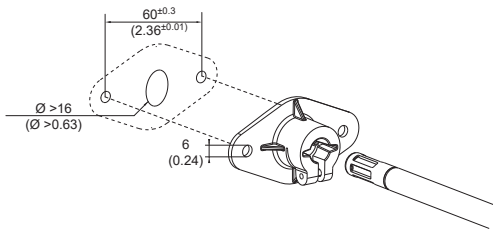
Suitable for

- All probes with diameter 12 mm (0.47")

Order code

HA010202

Dimensions in mm (inch)



Features

- Temperature range: -40...+80 °C (-40...+176 °F)
- Material: PA6-GF30 (Polyamide - glass fiber)

Plastic Mounting Flange, Ø12 mm (0.47"), Black



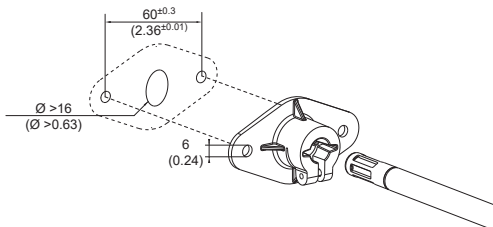
Suitable for

- All probes with diameter 12 mm (0.47")

Order code

HA010214

Dimensions in mm (inch)



Features

- Temperature range: -40...+80 °C (-40...+176 °F)
- Material: PA6-GF30 (Polyamide - glass fiber)

Plastic Mounting Flange for Probes with Ø6 mm (0.24"), with Alignment Notch



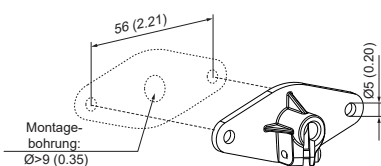
Suitable for

- All probes with diameter 6 mm (0.24")

Order code

HA401101

Dimensions in mm (inch)



Features

- Temperature range: -40...+80 °C (-40...+176 °F)
- Material: PC-GF10 (Polycarbonate - glass fiber)

Stainless Steel Mounting Flange Ø12 mm (0.47")



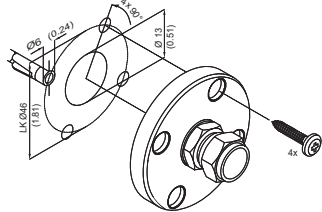
Suitable for

- All probes with diameter 12 mm (0.47")

Order code

HA010201

Dimensions in mm (inch)



Features

- Material: Stainless steel 1.4404

Stainless Steel Mounting Flange Ø25 mm (0.98")



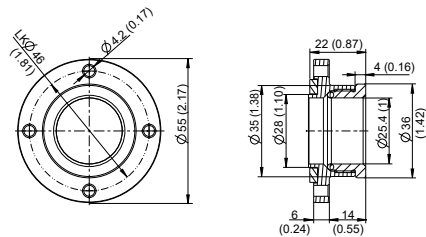
Suitable for

- EE872

Order code

HA010226

Dimensions in mm (inch)



Features

- Material: Stainless steel 1.4404

Stainless Steel Mounting Flange Ø6 mm - Ø8 mm (0.24" - 0.32")



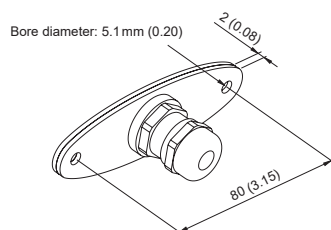
Suitable for

- All probes with diameter 6 mm - 8 mm (0.24" - 0.32")

Order code

HA010207

Dimensions in mm (inch)



Features

- Material: Stainless steel 1.4404

Duct Mounting Kit for EE07



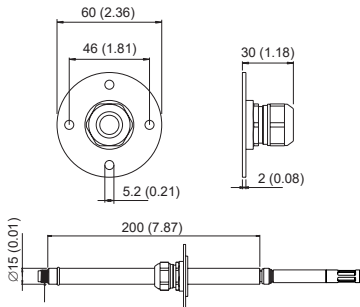
Suitable for

- EE07

Order code

HA010209

Dimensions in mm (inch)



Wall Mounting Clip Ø12 mm (0.47")



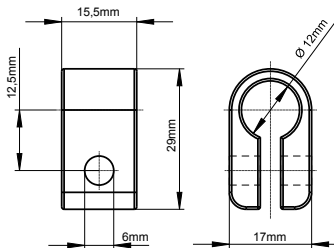
Suitable for

- All probes with diameter 12 mm (0.47")

Order code

HA010211

Dimensions in mm (inch)



Features

- Temperature range: -40...+60 °C (-40...+140 °F)
- Material: LDPE (Polyethylene)

Wall Mounting Clip Ø25 mm (0.98")



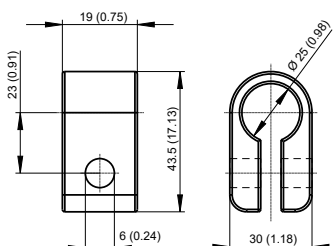
Suitable for

- EE260
- EE872

Order code

HA010227

Dimensions in mm (inch)



Features

- Temperature range: -40...+60 °C (-40...+140 °F)
- Material: LDPE (Polyethylene)

Stainless Steel Wall Mounting Clip, Ø12 mm (0.47")



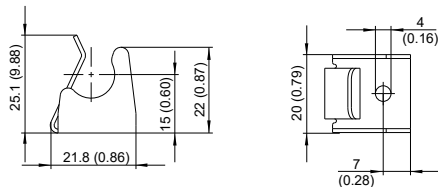
Suitable for

- All probes with diameter 12 mm (0.47")

Order code

HA010225

Dimensions in mm (inch)



Features

- Material: Stainless steel 1.4404

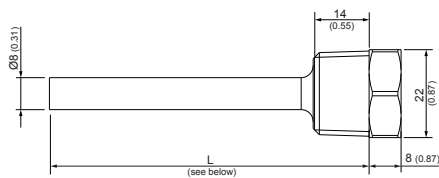
Immersion Well



Suitable for

- EE074
- EE431
- EE461
- EE462
- EE471
- HTS801-T17 (only HA400202, HA400212)

Dimensions in mm (inch)



Length (L)	Material	Order code	
		R½" ISO	½" NPT
50 mm (1.97")	Brass	HA400101	HA400111
	Stainless steel	HA400201	HA400211
100 mm (3.94")	Brass	HA400104	HA400114
	Stainless steel	HA400204	HA400214
135 mm (5.31")	Brass	HA400102	HA400112
	Stainless steel	HA400202	HA400212
285 mm (11.22")	Brass	HA400103	HA400113
	Stainless steel	HA400203	HA400213

LC Displays

LC Display and Cover for Retrofitting / Spare Part



Suitable for	Material	Order code
EE23	AlSi9Cu3 (Aluminium die-cast)	D03M-EE23
	PC (Polycarbonate)	D03P-EE23
EE23-T5	AlSi9Cu3	D05M-EE23T5
	PC	D05P-EE23T5
EE220	AlSi9Cu3	D07M-EE220
	PC	D07P-EE220
EE371	AlSi9Cu3	D08M-EE371
EE381	AlSi9Cu3	D08M-EE381
Sigma 05	PC	D09P

Power Supply

Power Supply Adapter 24 V DC



Suitable for

- All E+E devices with 24 V DC supply
max: 0.625 A
- Europe / US / UK / Korea / China

Order code

V03

Description

- External power supply
- 100-240 V AC / 50-60 Hz 0.5 A

Sampling Cells

Basic Sampling Cell with ISO/NPT Connectors



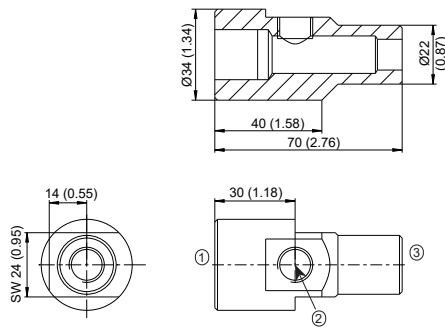
Suitable for

- EE354
- EE355
- EE371
- TDS501

Order code

HA050103
(ISO)
HA050105
(NPT)

Dimensions in mm (inch)

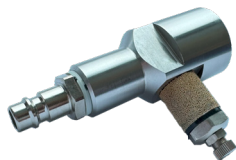


ISO	NPT
1 = G 1/2"	1/2"
2 = G 1/4"	1/4"
3 = G 1/4"	1/4"

Description

- The basic sampling cell is designed for a pressure range 0...64 bar (0...928 psi). It allows a simple integration of a dew point sensor into a self constructed sampling system.

Sampling Cell ISO with Quick Connector



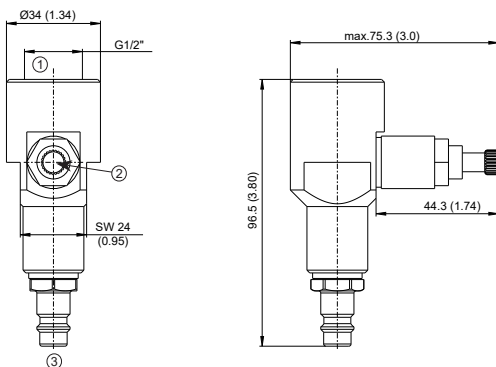
Suitable for

- EE354
- EE355
- EE371
- TDS501

Order code

HA050102

Dimensions in mm (inch)



- 1 = G 1/2"
- 2 = Bleed screw
- 3 = Quick connector DN7.2

Description

- The sampling cell is optimized for compressed air lines with pressure range 0...10 bar (0...145 psi). The flow of air can be adjusted with the bleed screw. The G 1/2" ISO version features a quick connector suitable for standard DN7.2 air connection, which allows for the sampling cell to be mounted and removed without process interruption.

Sampling Cell NPT with Bleed Screw



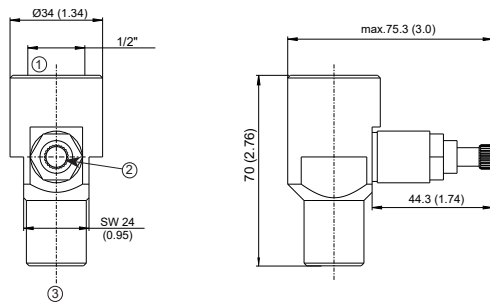
Suitable for

- EE354
- EE355
- EE371
- TDS501

Order code

HA050107

Dimensions in mm (inch)



- 1 = NPT
- 2 = Bleed screw
- 3 = Quick connector DN7.2

Description

- The sampling cell is optimised for compressed air pipes with pressure range 0...10 bar (0...145 psi). The flow of air can be adjusted with the bleed screw.

Sampling Cell for Atmospheric Dew Point



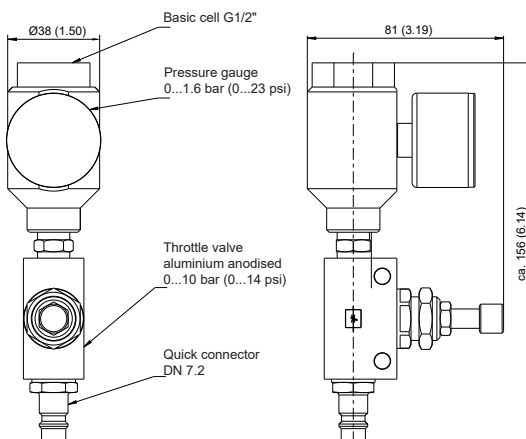
Suitable for

- EE354
- EE355
- EE371
- TDS501

Order code

HA050106

Dimensions in mm (inch)



Description

- The sampling cell is optimized for measuring the atmospheric dew point temperature in compressed air lines with pressure range 0...10 bar (0...145 psi). It features a quick connector suitable for standard DN7.2 air connection, which allows for the sampling cell to be mounted and removed without process interruption. The pressure in the sampling cell could be zeroed by the needle valve.

Ball Valve G 1/2" ISO



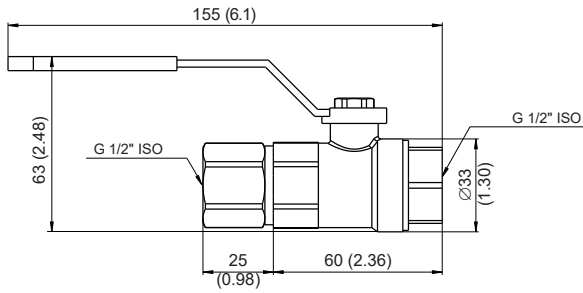
Suitable for

- MOP301-T10

Order code

HA050101

Dimensions in mm (inch)



Ball Valve 1/2" NPT



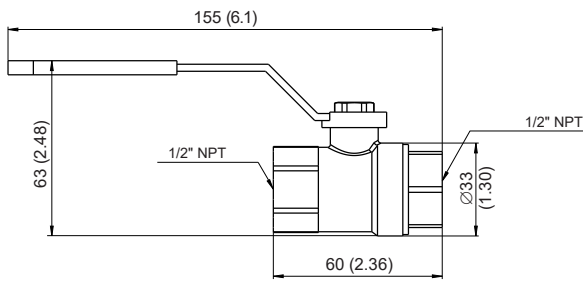
Suitable for

- MOP301-T10

Order code

HA050104

Dimensions in mm (inch)



Drip Water Protection

In applications with high humidity and condensation or for outdoor use, sensor probes should be protected against dripping water.

Drip Water Protection



Suitable for

- All probes with diameter 12 mm (0.47")

Order code

HA010503

Description

- Protection cap diameter 85 mm (3.35"), fixing onto the sensing probe by cable gland.

Protection Caps

Protection Cap for M12 Socket



Suitable for

- M12 socket

Order code

HA010781

Protection Cap for M12 Plug



Suitable for

- M12 plug

Order code

HA010782

Protection Cap for Ø12 mm (0.47") Probes, RAL6018



Suitable for

- All probes with diameter 12 mm (0.47")

Order code

HA010783

Description

- Sensing head protection during site cleaning and sterilisation
- Temperature range: -40...+80 °C (-40...+176 °F)
- Length: 50.4 mm (1.98")
- Diameter: 12.5 mm (0.49")

Radiation Shields

For outdoor applications the measuring probes shall be equipped with a radiation shield which provides protection from rain, snow and ice. This causes also a natural ventilation which largely prevents overheating of the sensing probe in the sun and thus a distortion of the measured values. All E+E radiation shields are suitable for wall and pole mount.

Radiation Shields for Probes with Diameter 12 mm (0.47")

With fixed clamping ring (M20x1.5)



Suitable for probes with Ø12 mm (0.47")

- EE07
- EE08-E8
- EE072
- HTP201

Suitable for remote sensing probes

- EE23
- EE310
- HTS801-T17 (RH probe)

Order code

HA010502

With screw-in thread (M16x1.5) and additional cable gland for probes with Ø6 mm (0.24")



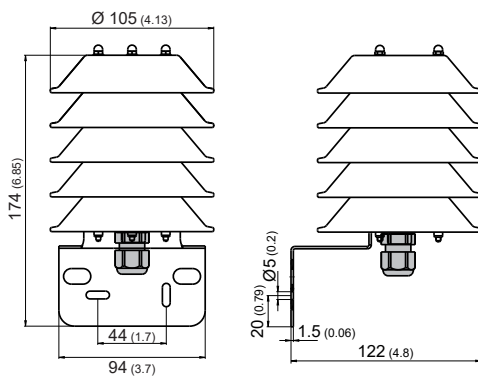
Suitable for

- EE08-E11
- HTS801-T17 (T probe)

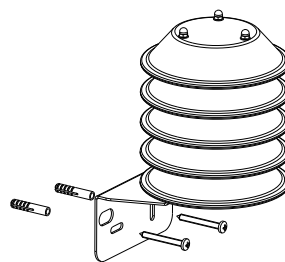
Order code

HA010506

Dimensions in mm (inch)

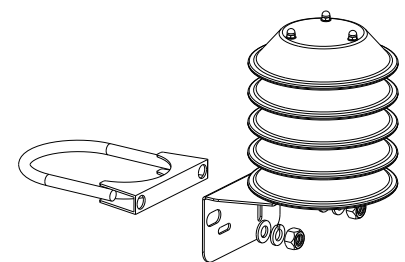


Wall mount



Pole mount

34 - 68 mm (1.3 - 2.7")



Radiation Shield for HTS401-T3 Remote Probe

With supporting plate

Suitable for

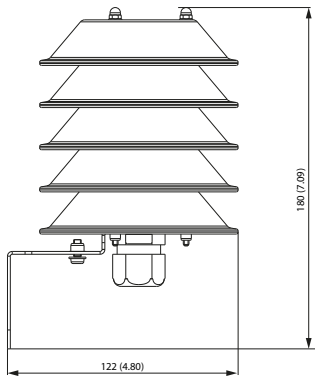
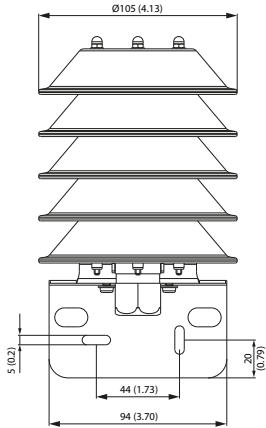
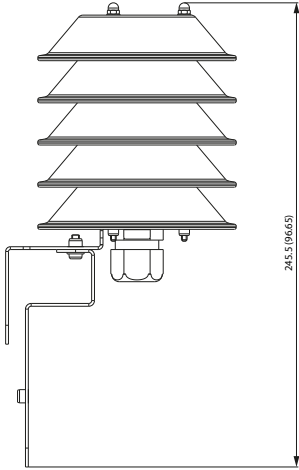
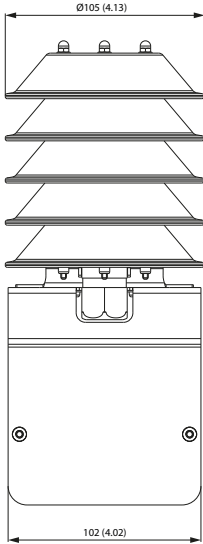
- HTS401-T3

Order code

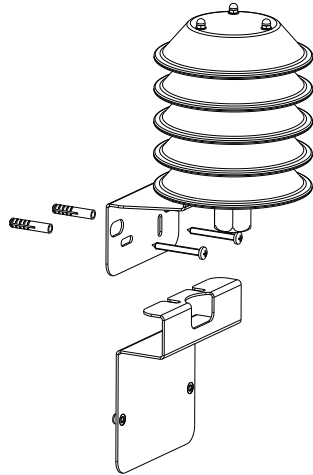
HA010514



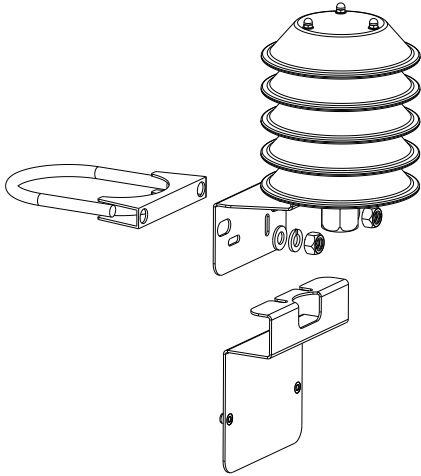
Dimensions in mm (inch)



Wall mount



Pole mount 34 - 68 mm (1.3 - 2.7")



Radiation Shield for EE872

Suitable for

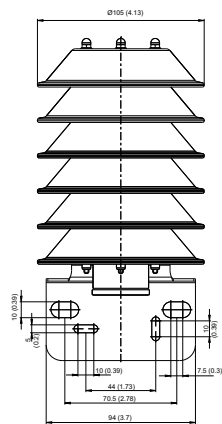
- EE872

Order code

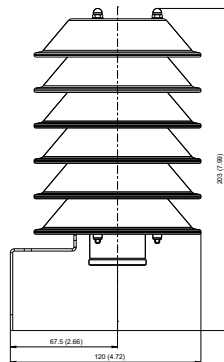
HA010510



Dimensions in mm (inch)

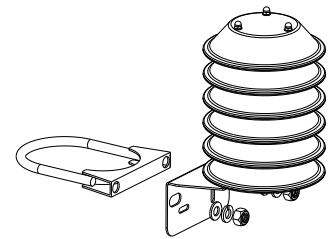
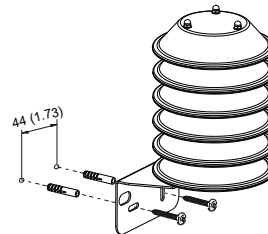


Wall mount



Pole mount

34 - 68 mm (1.3 - 2.7")



Radiation Shield with Artificial Ventilation for HTS801

Suitable for

- HTS801-T28

Order code

HA010508



Power Supply

External power supply for ventilator is required.

- Supply voltage: 9.5...13.2 V DC
- Power consumption: 1.4 W (max. 1.8 W)

Radiation Shield with Artificial Ventilation for EE260

Suitable for

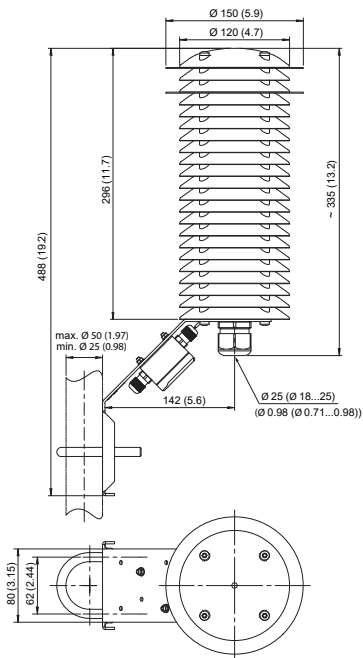
- EE260

Order code

HA010511

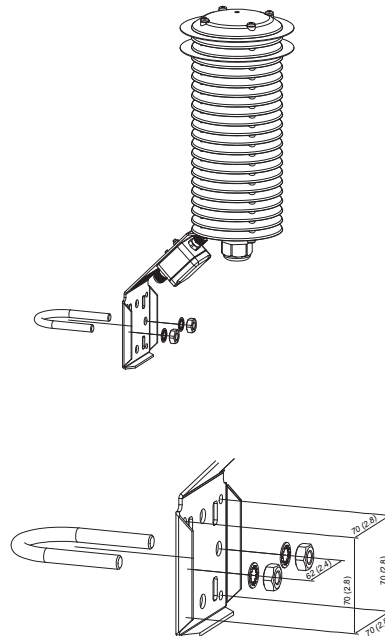


Dimensions in mm (inch)



Pole mount

34 - 68 mm (1.3 - 2.7")



Power Supply

External power supply for ventilator is required.

- Supply voltage: 9.5...13.2 V DC
- Power consumption: 1.4 W (max. 1.8 W)

Mounting and Connection Elements

Bracket for DIN Rail Mounting



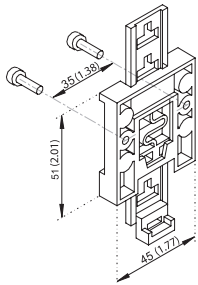
Suitable for (polycarbonate enclosure only)

- EE23
- EE220
- EE310
- EE360
- HTS801

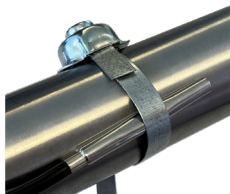
Order code

HA010203

Dimensions in mm (inch)



Hose Clamp Bundle, Metal 330 mm (13"), 5 pcs.



Suitable for

- EE461
- EE462
- EE471

Bestellcode

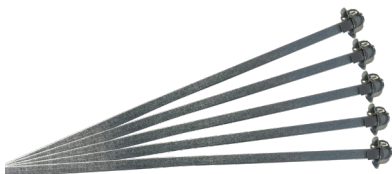
HA402102

Dimension in mm (inch)

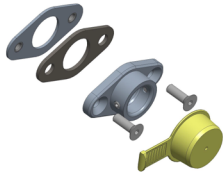
- Length: 330 (13)

Description

- Material: DX 52 D+Z 275 MA (Sendzimir galvanised)
- Material caps, inner part and screws: ST 12 blue galvanised (galvanised steel)
- 1 packaging unit: 5 pieces



Mounting Set for EE680



Suitable for

- EE680

Order code

HA011601

Description

- Sheet metal wall mounting set for EE680 consisting of:
 - Counter plate
 - Sealing gasket
 - Two screws M5x16

M12 Sealing Plug for EE680, Stainless Steel



Suitable for

- EE680

Order code

HA011602

Description

- Stainless steel M12 sealing plug to protect the electrical connection in case of site cleaning where it is necessary to remove EE680.

Pressure-Tight Feed-Through



Suitable for

- HTS801-M1T17
- HTS801-M4T7

Description

- For probes with diameter 12 mm (0.47"), probe assembly up to 20 bar (300 psi)
- For probes with diameter 6 mm (0.24"), probe assembly up to 20 bar (300 psi)

Order code

HA011102
(1/2" ISO)
HA011103
(1/2" NPT)

HA011104
(1/2" ISO)
HA011105
(1/2" NPT)

Pressure Connection Set for EE600/EE610



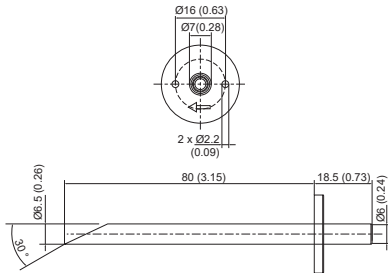
Suitable for

- EE600
- EE610

Order code

HA011304

Dimensions in mm (inch)



Description

- 2 m (78.7") PVC hose with two ABS pressure connection nipples

Reference Probes

Reference Probe Set for EE220



Suitable for

- EE220

Order code

HA010403

Description

- EE07 probes with fix output values for checking the EE220 (test report included):
 - Probe 1: 90 %RH/5 °C (41 °F)
 - Probe 2: 10 %RH/45 °C (113 °F)

Reference Probe Modbus RTU



Suitable for

- Sigma 05

Order code

HA010406

Description

- Probe with fix output values for checking the Sigma 05
- Fix values freely configurable via PCS10 (available at www.epluse.com/pcs10) and configuration adapter HA011018

Interface Cables

RS232 Interface Cable, D-Sub 9 Socket ↔ PCB Connector, 2 m (6.6 ft)



Suitable for

- EE371
- EE381

Order code

HA010304

Description

- RS232 interface cable:
 - PC side: DB9 socket for RS232 COM port
 - Sensor side: 6 poles wire to board connector
- Cable length: 2 m (6.6 ft)

Interface Cable RS232 ↔ E2 Bus for EE07, 2 m (6.6 ft)



Suitable for

- EE07

Order code

HA011001

Description

- RS232 to E2 converter:
 - PC side: DB9 socket for RS232 COM port
 - EE07 side: M12 socket, 4 poles
- Cable length: 2 m (6.6 ft)

Interface Cable RS232 ↔ E2 Bus for EE03, 2 m (6.6 ft)



Suitable for

- EE03

Order code

HA011002

Description

- RS232 to E2 converter:
 - PC side: DB9 socket for RS232 COM port
 - EE03 side: 4 poles wire to board connector
- Cable length: 2 m (6.6 ft)

Interface Cable RS232 ↔ E2 Bus for EE08, 2 m (6.6 ft)



Suitable for

- EE08

Order code

HA011005

Description

- RS232 to E2 interface adapter for EE08 adjustment and test
- Connections:
 - PC side: DB9 socket for RS232 COM port
 - EE08 side:
 - For EE08-E8 (cable version): screw terminals
 - For EE08-E11 (connector version): cable
 - 2 m (6.6 ft) with M12 socket
- External power supply is required (power adapter not in the scope of supply)
See EE08 datasheet at www.epluse.com/ee08 for the correct power supply voltage according to the EE08 model.

Interface Cable RS232 ↔ USB



Suitable for

- E+E devices with RS232 interface

Order code

HA020110

Description

- High speed converter from USB to RS232 DB9 (plug)
- Microsoft WHQL approved

Converters and Configuration Adapters

Modbus Configuration Adapter, M12 ↔ USB



Suitable for	Order code
<ul style="list-style-type: none"> ▪ EE354 ▪ EE355 ▪ EE364 ▪ TDS501 analogue 	HA011013
<ul style="list-style-type: none"> ▪ EE072 ▪ EE074 ▪ EE260 (with configuration cable HA011020) ▪ EE671-T15 ▪ EE680 ▪ EE872 ▪ HTP501 ▪ MOP301 ▪ HA010406 ▪ TDS501 digital 	HA011018

Description

- For test and configuration including power supply adapter:
 - PC side: USB stick
 - Sensor side: M12 socket, 4 poles

USB-C Configuration Stick

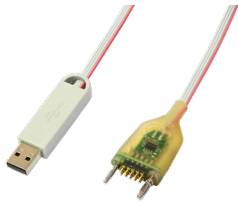


Suitable for	Order code
<ul style="list-style-type: none"> ▪ CDS201 digital ▪ EE160 ▪ EE211 ▪ EE4x1 digital ▪ EE600 ▪ EE610 ▪ EE650 ▪ EE660 ▪ EE820 ▪ EE850 ▪ HTS201 digital ▪ TES201 digital 	HA011070

Description

- Refer to [datasheet HA011070](#) USB-C Configuration Stick

USB Configuration Adapter for EE431 / EE451 with Analogue Output



Suitable for

- EE431 with display
- EE451 with display

Order code

HA011023

Description

- For test and configuration:
 - PC side: USB stick
 - Sensor side: 10 poles wire to board connector

EE-PCA Product Configuration Adapter



Suitable for

- See EE-PCA datasheet

Order code

EE-PCA

https://www.epluse.com/fileadmin/data/product/eepca/datasheet_EE-PCA.pdf

Configuration Cable for EE260



Suitable for

- EE260

Order code

HA011020

Description

- For test and configuration of EE260 in combination with Modbus configuration adapter HA011018
 - HA011018 side: M12 plug 4 poles
 - EE260 side: M12 socket 8 poles

CAN Configuration Adapter for EE072 (CAN Version)



Suitable for

- EE072 (CAN version)

Order code

HA011021

Description

- For test and configuration including power supply adapter:
 - PC side: USB stick
 - Sensor side: M12 socket 5 poles

Connection Cable for EE072 (CAN Version) with 120 Ω Termination, M12x1 Plug ↔ Socket, 1.8 m (5.9 ft)



Suitable for

- EE072 (CAN version)

Order code

HA010850

Description

- M12 socket 5 poles (with embedded 120 Ω termination resistor, yellow connector): EE072 side
- M12 plug 5 poles (black connector): other devices
- Length 1.8 m (5.9 ft), colour cable violet

Y-Style Splitter, M12x1, 1 Plug ↔ 2 Sockets, 5 Poles



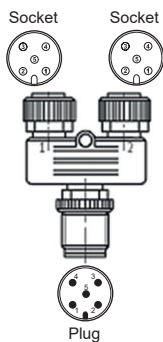
Suitable for

- All sensors and cables with M12, 4/5 poles

Order code

HA030204

Connectors



Description

- M12 splitter, 1 plug ↔ 2 sockets for M12, 5 poles

Connectors

Flange Socket, M12x1 ↔ 50 mm (1.97") Stranded Wire, 8 Poles, M16x1.5 Screw-In Thread



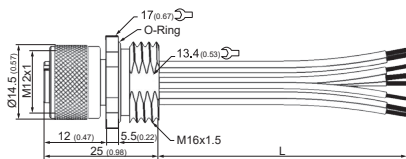
Suitable for

- All probes with M12 plug 8 poles

Order code

HA010703

Dimensions in mm (inch)

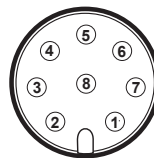


- L = 200 mm (2") ±5 mm

Description

- M12x1 flange socket with stranded wire.

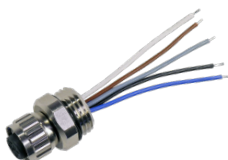
Connection diagram



M12 socket front view

Pin	Colour
1	White
2	Brown
3	Green
4	Yellow
5	Grey
6	Pink
7	Blue
8	Red

Flange Socket, M12x1 ↔ 50 mm (1.97") Stranded Wire, 5 Poles, M16x1.5 Screw-In Thread



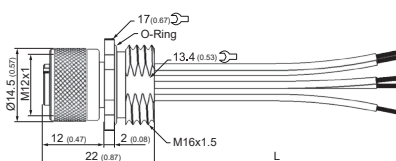
Suitable for

- All probes with M12 plug 4/5 poles

Order code

HA010705

Dimensions in mm (inch)

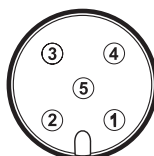


- L = 50 mm (2") ±3 mm (0.12")

Description

- M12x1 flange socket with stranded wire

Connection diagram



M12 socket front view

Pin	Colour
1	Brown
2	White
3	Blue
4	Black
5	Grey

Connector, M12x1 Socket, 8 Poles, for Self Assembly



Suitable for

- All sensors with M12 plug 8 poles

Order code

HA010704

Description

- M12x1 cable connector, 8 poles, IP67 (NEMA 4), for self assembly

Connector, M12x1 Plug, 5 Poles, for Self Assembly



Suitable for

- All sensors with M12 socket 5 poles

Order code

HA010706

Description

- M12x1 cable connector, 5 poles, IP67 (NEMA 4), for self assembly.

Connector, M12x1 Socket, 4 Poles, for Self Assembly



Suitable for

- All sensors with M12 plug 4 poles

Order code

HA010707

Description

- M12x1 cable connector, 4 poles, IP67 (NEMA 4), for self assembly.

Connector, M12x1 Socket, 5 Poles, for Self Assembly



Suitable for

- All sensors with M12 plug 5 poles

Order code

HA010708

Description

- M12x1 cable connector, 5 poles, IP67 (NEMA 4), for self assembly

Connection Cables

Connection Cable, Shielded, 5 Poles, M12x1 Plug ↔ Socket



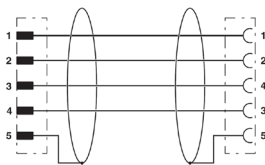
Suitable for

- EE07 with EE220

Order code

- **HA010801**
(2 m/6.6 ft)
- **HA010802**
(5 m/ 16.4 ft)
- **HA010803**
(10 m/ 16.4 ft)

Connection diagram



Description

- 5 poles, M12x1 plug ↔ socket, shielded (shield connected to pin 5), PUR (Polyurethane)

Feature

- Temperature range: -40...+80 °C (-40...+176 °F)

Connection Cable, Shielded, 5 Poles, M12x1 Plug ↔ Socket



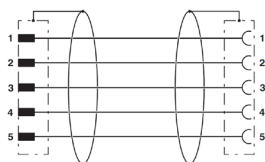
Suitable for

- EE771
- EE772
- EE776

Order code

- **HA010816**
(2 m/6.6 ft)
- **HA010817**
(5 m/ 16.4 ft)
- **HA010818**
(10 m/32.8 ft)

Connection diagram



Description

- 5 poles, M12x1 plug ↔ socket, shielded, PUR (Polyurethane)

Feature

- Temperature range: -40...+80 °C (-40...+176 °F)

Connection Cable, Unshielded, 4/5 Poles, M12x1 Plug ↔ Socket



5 poles

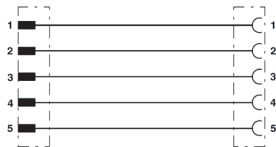


4 poles

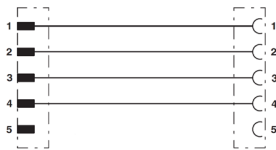
Suitable for	Description	Order code
<ul style="list-style-type: none"> Omniport 40 with hand-held probe 	<ul style="list-style-type: none"> M12 Connection cable, 5 poles, M12x1 plug ↔ socket, unshielded, PUR (Polyurethane) 	<p>HA010813 (2 m/6.6 ft)</p>
<ul style="list-style-type: none"> Sigma 05 	<ul style="list-style-type: none"> M12 Connection cable, 5 poles, M12x1 plug ↔ socket, unshielded, PUR (Polyurethane) 	<p>HA010813 (2 m/6.6 ft) HA010814 (5 m/16.4 ft) HA010815 (10 m/32.8 ft)</p>
<ul style="list-style-type: none"> EE100Ex-T23 	<ul style="list-style-type: none"> M12 Connection cable, 4 poles, M12x1 plug ↔ socket, unshielded, PUR (Polyurethane) 	<p>HA010826 (2 m/6.6 ft)</p>

Connection diagram

HA010813, HA010814, HA010815



HA010826



Feature

- Temperature range: -25...+85 °C (-13...+185 °F)

Omniport 40 Connection Cable for Process Probes



Suitable for

- Omniport 40 with process probe

Order code

HA040908
(1 m/3.3 ft)

Description

- Connection cable, 5 poles unshielded, PUR (Polyurethane)
- Omniport 40 side: M12 x 1 plug with integrated voltage converter
- Process probe side: M12 x 1 socket

Sensor Connection Cable, Shielded, 5 Poles, M12x1 Socket ↔ Wire Ferrules



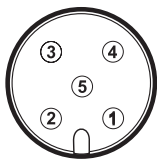
Suitable for

- All sensors with M12 plug, 4/5 poles

Order code

- HA010819**
(1.5 m / 4.9 ft)
- HA010820**
(5 m / 16.4 ft)
- HA010821**
(10 m / 32.8 ft)

Connection diagram



M12 socket
front view

Pin	Colour
1	brown
2	white
3	blue
4	black
5	grey

Description

- 5 poles, M12x1 socket ↔ wire ferrules, shielded, PUR (Polyurethane)

Feature

- Temperature range: -40...+80 °C (-40...+176 °F)

Sensor Connection Cable, M12x1 Socket Angled 90° ↔ Free Ends, 4 Poles



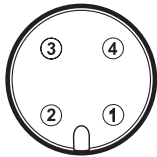
Suitable for

- All sensors with M12 plug, 4 poles

Order code

- HA010824**
(2 m / 6.6 ft)

Connection diagram



M12 socket
front view

Pin	Colour
1	brown
2	white
3	blue
4	black

Description

- 4 poles, M12x1 socket, angled 90°

Feature

- Temperature range: -40...+80 °C (-40...+176 °F)

Sensor Connection Cable M12x1 Socket ↔ Free Ends, 8 Poles, Shielded



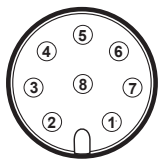
Suitable for

- All sensors with M12 plug 8 poles

Order code

- HA010322**
(1.5 m / 4.9 ft)
- HA010323**
(3 m / 9.8 ft)
- HA010324**
(5 m / 16.4 ft)
- HA010325**
(10 m / 32.8 ft)

Connection diagram



M12 socket front view

Pin	Colour
1	white
2	brown
3	green
4	yellow
5	grey
6	pink
7	blue
8	red

Description

- 8 poles, M12x1 socket ↔ free ends, shielded, PUR (Polyurethane)

Feature

- Temperature range: -40...+80 °C (-40...+176 °F)

Sensor Connection Cable PVC, 5 Poles, M12x1 Socket ↔ Wire Ferrules



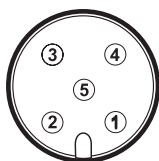
Suitable for

- EE671
- HTS401-T3

Order code

- HA010831**
(0.5 m / 1.64 ft)
- HA010832**
(2 m / 6.56 ft)
- HA010833**
(5 m / 16.4 ft)
- HA010834**
(10 m / 32.8 ft)

Connection diagram



M12 socket front view

Pin	Colour
1	grey
2	brown
3	green
4	yellow
5	white

Description

- 5 poles, M12x1 socket ↔ free ends with ferrules, PVC (Polyvinylchloride)

Feature

- Temperature range moving: -25...+70 °C (-13...+158 °F)
- Temperature range not moving: -40...+80 °C (-40...+176 °F)

USB Cable for PC Connection (USB-A to USB-C), 1.8 m (5.9 ft)



	Suitable for	Description	Order code
	<ul style="list-style-type: none">▪ HTS801▪ AVS701▪ Sigma 05▪ HA011070 USB-C configuration stick	<ul style="list-style-type: none">▪ Connections:<ul style="list-style-type: none">▪ PC side: USB-A▪ Sensor side: USB-C▪ Length 1.8 m (5.9 ft)	<p>HA010327</p>



Company Headquarters &
Production Site

E+E Elektronik Ges.m.b.H.
Langwiesen 7
4209 Engerwitzdorf | Austria
T +43 7235 605-0
F +43 7235 605-8
info@epluse.com
www.epluse.com

Subsidiaries

E+E Sensor Technology (Shanghai) Co., Ltd.
T +86 21 6117 6129
info@epluse.cn

E+E Elektronik France SARL
T +33 4 74 72 35 82
info.fr@epluse.com

E+E Elektronik Deutschland GmbH
T +49 6171 69411-0
info.de@epluse.com

E+E Elektronik India Private Limited
T +91 990 440 5400
info.in@epluse.com

E+E Elektronik Italia S.r.l.
T +39 02 2707 86 36
info.it@epluse.com

E+E Elektronik Korea Ltd.
T +82 31 732 6050
info.kr@epluse.com

E+E Elektronik Corporation
T +1 847 490 0520
info.us@epluse.com



—
your partner
in sensor
technology.