

# PMF01

Pyranometer mounting fixture – practical, small footprint -

*PMF01 is a metal bracket that helps mounting pyranometers on a vertical mast, horizontal crossarm, flat wall or a fence. It allows for horizontal as well as tilted (Plane of Array) orientation. With its small footprint, in particular when combined with small footprint pyranometers such as SR30 and SR15, PMF01 reduces snow build-up; snow will simply drop off. PMF01 is compatible with all Hukseflux pyranometers.*



Figure 1 PMF01 pyranometer mounting fixture



**Figure2** PMF01 pyranometer mounting fixture can be used for easy installations of a pyranometer, in this case SR30, in Plane of Array for PV system performance monitoring and meteorological applications

## Introduction

PMF01 is a practical metal bracket that helps mounting pyranometers on a vertical mast, horizontal crossarm, flat wall or a fence. It allows for horizontal as well as tilted (Plane of Array) orientation. The use of PMF01, compatible with all Hukseflux pyranometers, is easy. Its spring-loaded central bolt allows easy mounting and levelling. With its small footprint, in particular when combined with small footprint pyranometers such as SR30, PMF01 reduces problems with snow build-up; snow will simply drop off.

## Advantages

- quick installation
- easy levelling using spring-loaded bolt
- for mounting pyranometers on horizontal and vertical tubes, on platforms, both horizontal and in Plane of Array

## Suggested use

- meteorological observations
- PV monitoring

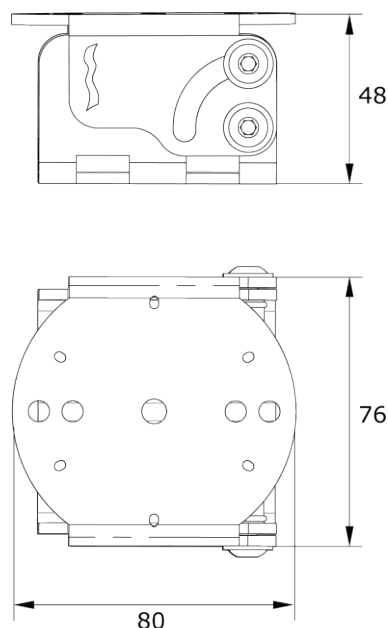


Figure 3 PMF01 dimensions in  $\times 10^{-3} m$

### PMF01 design

PMF01 is a robust and versatile pyranometer mounting fixture, made of anodised aluminium. Its spring-loaded bolt allows easy mounting and levelling of all pyranometers. Its small footprint and 0 to 90 ° tilt angle ensure quick installation, horizontally or in Plane of Array, on either a vertical mast, horizontal crossarm or on a platform, in any climate and weather.



Figure 4 with PMF01, besides Plane of Array (tilted) installations, pyranometers can be mounted horizontally too, either on a crossarm, vertical mast, or on a platform. The photos show the installation of SR15 on a horizontal crossarm, and SR05, with its ball levelling mount, on a vertical mast. A spring-loaded bolt and tube clamps come included with PMF01.

### PMF01 specifications

Instrument compatibility	SR30, SR25, SR22, SR20, SR15, SR12, SR11, SR05, SR03, and LP02 pyranometers; SR05 ball leveling
Tilt angles	0 to 90 °
Material	anodised aluminium
Rated operating temperature range	-40 to +80 °C
Included parts	bracket; 1 x M6 central spring loaded bolt; 4 x M5 bolt; 2 x tube clamp

### Other mouning options:

There are other mounting options available for SR30, SR15 and SR05. They allow for simplified mounting, levelling and instrument exchange on a flat surface or a tube.



Figure 5 alternative mounting options are offered

### See also

- **SR30** and **SR15** pyranometers with spring-loaded and tube levelling mount
- **SR05** second class with ball levelling and tube mount
- view our complete **range of solar sensors**

Interested in this product?  
 E-mail us at: [comercial@sensovant.com](mailto:comercial@sensovant.com)