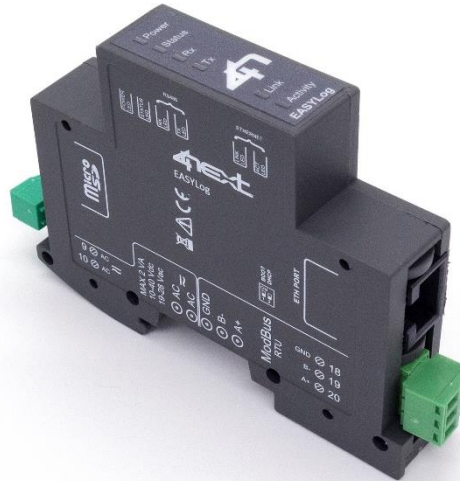


## EasyLog ModBus data logger



### 1. DESCRIPTION

EasyLog is a data logger that allows interfacing between all ModBus RTU and TCP devices. It collects data, analyze them and sends them remotely via MQTT or FTP protocol.

#### Width

1 module, 18 mm

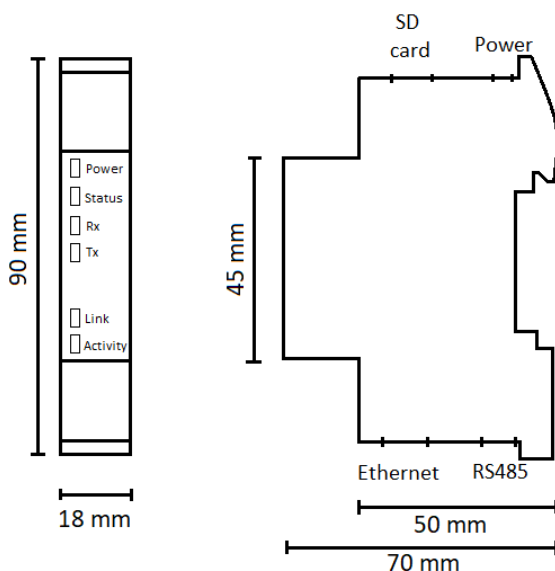
#### Power supply

10-40 V DC / 20-28 V AC

#### Average consumption

<1,5 W

### 2. DIMENSIONAL DATA



### 3. TECHNICAL FEATURES

#### GENERAL

- Ethernet 10/100 MB/s
- RS485 1200-115200 bps
- Signaling frontal LEDs
- Serial communication speed up to 115.200 bit/s

#### MECHANICAL

- IP21 plastic case for DIN rail
- Size: 18 x 90 x 70 mm (1 DIN module)

#### CPU

- 32B Arm Cortex -M4 MCU + FPU
- 2 Mbytes Flash ROM
- 256 Kbytes RAM
- Internal buffered RTC

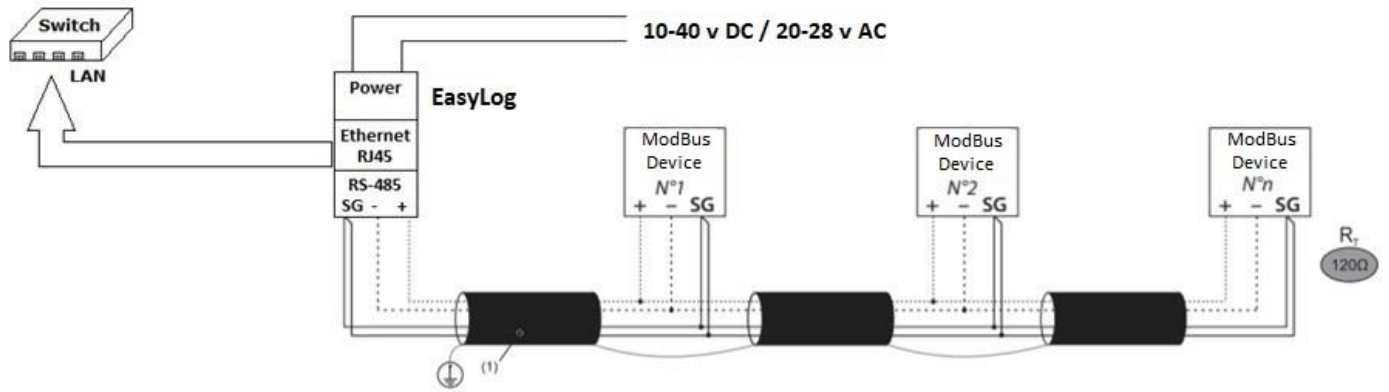
#### ENVIRONMENTAL

- Operating temperature:  $-20^{\circ}\text{C} \div 60^{\circ}\text{C}$
- Relative humidity: from 0 to 80% without condensation
- Storage temperature:  $-40^{\circ} \div + 80^{\circ}$

# EasyLog ModBus data logger

## 4. CONNECTION

### Ethernet – RS485 connection scheme

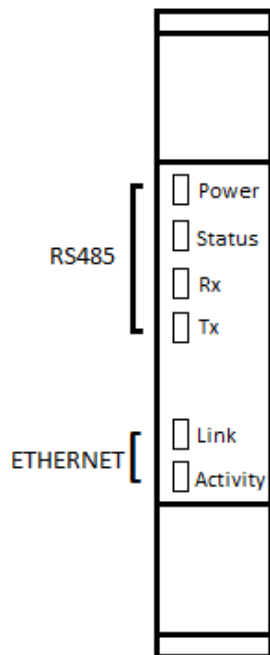


# EasyLog

## ModBus data logger

### 5. GENERAL FEATURES

#### Front marking



#### Signaling LEDs

Led	Led status	Meaning
Power	GREEN	Start
Status	YELLOW (flashing)	Active
Rx	RED (flashing)	Active Receiver
Tx	RED (flashing)	Active Transmitter
Link	YELLOW	Ethernet connected
Activity	YELLOW	Ethernet connected

### 6. COMPLIANCE AND CERTIFICATIONS

#### Compliance with standards

- Compliance with Directive on electromagnetic compatibility (EMC) n° 2014/30/EU;
- Compliance with low voltage directive n° 2014/35/EU;
- Electromagnetic compatibility:  
Emission test according to EN 61000-6-1 / EN 61000-6-2;  
Immunity test according to EN 61000-6-3 / EN 61000-6-4;
- Electrical safety: EN50428 (HBES)

#### Environment respect – Compliance with EU directives

- Compliance with Directive 2011/65/UE as amended by Directive 2015/863 (RoHS 2) on the restriction of the use of certain hazardous substances in electrical and electronic equipment.
- Compliance with REACH regulation (1907/2006): at the date of the publication of this document no element of the SVHC substance list (updated on 27/06/2018) is present in these products.
- WEEE directive (2012/19/EU): the sale of this product is subject to a contribution to eco-organisations in each country responsible for managing end-of-life products in the field of application of the European Waste Electronic and Electrical Equipment Directive.

#### Plastic materials

- Halogens-free plastic materials.
- Marking of parts according to ISO 11469 and ISO 1043.

#### Packaging

- Design and manufacture of packaging compliant to decree 98-638 of the 20.07.98 and also to directive 94/62/CE.