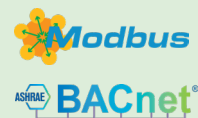




—  
your partner  
in sensor  
technology.

# + User Manual EE650

**Air Velocity Sensor  
for HVAC Applications**



# Content

<b>1</b>	<b>General Information</b>	<b>3</b>
1.1	Explanation of Warning Notices and Symbols	3
1.2	Safety Instructions	4
1.2.1.	General Safety Instructions	4
1.2.2.	Intended Use	4
1.2.3.	Mounting, Start-up and Operation	4
1.3	Environmental Aspects	5
<b>2</b>	<b>Scope of Supply</b>	<b>5</b>
<b>3</b>	<b>Product Description</b>	<b>6</b>
3.1	General	6
3.2	Dimensions	6
<b>4</b>	<b>Mounting and Installation</b>	<b>7</b>
4.1	Drilling in the Wall of the Duct for Installing the Mounting Flange	7
4.2	Positioning of Air Velocity Sensor in a Ventilation Duct	8
<b>5</b>	<b>Electrical Connection</b>	<b>9</b>
5.1	Analogue Output	10
5.2	RS485 Interface	10
<b>6</b>	<b>Setup and Configuration</b>	<b>11</b>
6.1	Analogue Settings	11
6.1.1.	Selection of the Output Signal	11
6.1.2.	Selection of Response Time $t_{90}$	11
6.1.3.	Selection of Measuring Range	11
6.1.4.	Customised ranges	11
6.2	RS485 Digital Interface	12
6.2.1.	PCS10 Product Configuration Software	12
6.2.2.	Hardware Bus Termination	12
6.2.3.	Device Address	13
6.2.4.	BACnet Protocol Settings	13
6.2.5.	Modbus RTU Protocol Settings	13
6.3	Modbus Register Map daten typ short	15
6.4	Modbus RTU Example	15
<b>7</b>	<b>Maintenance and Service</b>	<b>16</b>
7.1	Repairs	16
<b>8</b>	<b>Accessories</b>	<b>16</b>
<b>9</b>	<b>Technical Data</b>	<b>17</b>
<b>10</b>	<b>Conformity</b>	<b>18</b>
10.1	Declarations of Conformity	18
10.2	FCC Part 15 Compliance Statement	18
10.3	ICES-003 Compliance Statement	18

# 1 General Information

This user manual serves for ensuring proper handling and optimal functioning of the device. The user manual shall be read before commissioning the equipment and it shall be provided to all staff involved in transport, installation, operation, maintenance and repair. E+E Elektronik Ges.m.b.H. does not accept warranty and liability claims neither upon this publication nor in case of improper treatment of the described products.

All information, technical data and diagrams included in this document are based on the information available at the time of writing. It may contain technical inaccuracies and typographical errors. The contents will be revised on a regular basis and changes will be implemented in subsequent versions. The described product(s) and the contents of this document may be changed or improved at any time without prior notice.

All rights reserved by E+E Elektronik Ges.m.b.H. No part of this document may be reproduced, published or publicly displayed in any form or by any means, nor may its contents be modified, translated, adapted, sold or disclosed to a third party without prior written permission of E+E Elektronik Ges.m.b.H.

## PLEASE NOTE

Find this document and further product information on our website at [www.epluse.com/ee650](http://www.epluse.com/ee650).

## 1.1 Explanation of Warning Notices and Symbols

### Safety precautions

Precautionary statements warn of hazards in handling the device and provide information on their prevention. The safety instruction labeling is classified by hazard severity and is divided into the following groups:

### DANGER

**Danger** indicates hazards for persons. If the safety instruction marked in this way is not followed, the hazard will very likely result in severe injury or death.

### WARNING

**Warning** indicates hazards for persons. If the safety instruction marked in this way is not followed, there is a risk of injury or death.

### CAUTION

**Caution** indicates hazards for persons. If the safety instruction marked in this way is not followed, minor or moderate injuries may occur.

### NOTICE

**Notice** signals danger to objects or data. If the notice is not observed, damage to property or data may occur.

### Informational notes

Informational notes provide important information which stands out due to its relevance.

## INFO

The information symbol indicates tips on handling the device or provides additional information on it. The information is useful for reaching optimal performance of the device.

The title field can deviate from "INFO" depending on the context. For instance, it may also read "PLEASE NOTE".

## 1.2 Safety Instructions

### 1.2.1. General Safety Instructions

#### NOTICE

Improper handling of the device may result in its damage.

- The EE650 enclosure, the sensing probe and the sensing module shall not be exposed to unnecessary mechanical stress.
- Do not apply the supply voltage to the RS485 data lines.
- Use the EE650 only as intended and observe all technical specifications.

### 1.2.2. Intended Use

The EE650 air velocity sensor is dedicated for accurate and reliable measurement in building automation and ventilation applications.

#### WARNING

Non-compliance with the product documentation may cause safety risks for people and the entire measurement installation.

The manufacturer cannot be held responsible for damages as a result of incorrect handling, installation and maintenance of the device.

- Do not use the EE650 in explosive atmosphere or for measurement in aggressive gases.
- This device is not appropriate for safety, emergency stop or other critical applications where device malfunction or failure could cause injury to human beings.
- The device may not be manipulated with tools other than specifically described in this manual.

#### NOTICE

Failing to follow the instructions in this user manual may lead to measurement inaccuracy and device failures.

- The EE650 may only be operated under the conditions described in this user manual and within the specification included in chapter 9 Technical Data.
- Unauthorized product modification leads to loss of all warranty claims. Modification may be accomplished only with an explicit permission of E+E Elektronik Ges.m.b.H.!

### 1.2.3. Mounting, Start-up and Operation

The EE650 has been produced under state of the art manufacturing conditions, has been thoroughly tested and has left the factory after fulfilling all safety criteria. The manufacturer has taken all precautions to ensure safe operation of the device. The user must ensure that the device is set up and installed in a way that does not impair its safe use. The user is responsible for observing all applicable local and international safety guidelines for safe installation and operation of the device. This user manual contains information and warnings that must be observed by the user in order to ensure safe operation.

#### PLEASE NOTE

The manufacturer or his authorized agent can only be held liable in case of willful or gross negligence. In any case, the scope of liability is limited to the corresponding amount of the order issued to the manufacturer. The manufacturer assumes no liability for damages incurred due to failure to comply with the applicable regulations, operating instructions or the specified operating conditions. Consequential damage is excluded from liability.

**⚠ WARNING**

Non-compliance with the product documentation may cause accidents, personal injury or property damage.

- Mounting, installation, commissioning, start-up, operation and maintenance of the device may be performed by qualified staff only. Such staff must be authorized by the operator of the facility to carry out the mentioned activities.
- The qualified staff must have read and understood this user manual and must follow the instructions contained within. The manufacturer accepts no responsibility for non-compliance with instructions, recommendations and warnings.
- All process and electrical connections shall be thoroughly checked by authorized staff before putting the device into operation.
- Do not install or start-up a device supposed to be faulty. Make sure that such devices are not used accidentally by marking them clearly as faulty.
- A faulty device must be removed from the process.
- Service operations other than described in this user manual may only be performed by the manufacturer.

## 1.3 Environmental Aspects

**i PLEASE NOTE**

Products from E+E Elektronik Ges.m.b.H. are developed and manufactured in compliance with all relevant environmental protection requirements. Please observe local regulations for the disposal of the device.



For disposal, the individual components of the device must be separated according to local recycling regulations. The electronics shall be disposed of correctly as electronics waste.

## 2 Scope of Supply

- EE650 Sensor according to ordering guide
- Cable gland (two pieces at output RS485 for daisy chain wiring)
- Mounting flange
- Mounting material
- Protection cap
- Quick guide
- Test report according to DIN EN 10204-2.2

# 3 Product Description

## 3.1 General

The EE650 air velocity sensor is dedicated for accurate and reliable measurement in building automation and ventilation applications.

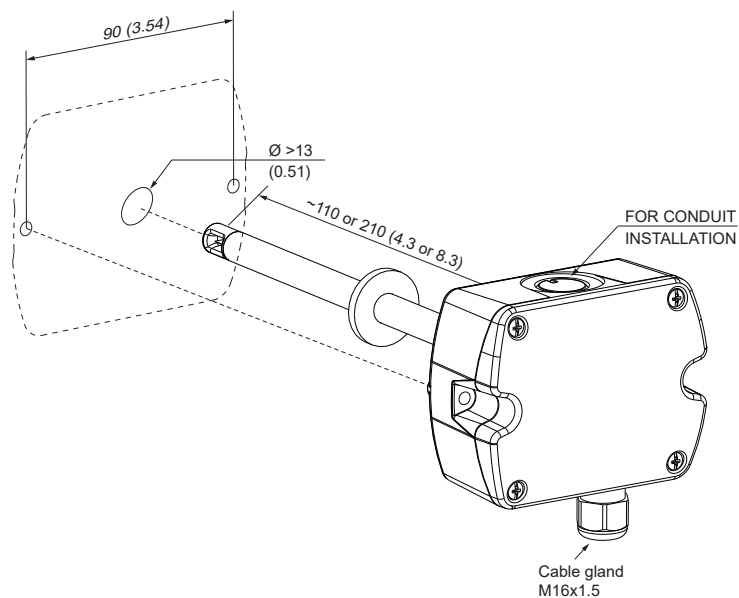
The device employs an air velocity sensing element, which operates on the thermal anemometer principle. It features an innovative and very robust sensing element manufactured in thin-film technology and with state-of-the-art transfer molding. The construction of the sensing head results in a very low angle dependency, which facilitates installation. The mounting flange allows for easy adjustment of the immersion depth.

The measuring range and the response time of the EE650 can be selected with the jumpers on the electronics board, refer to chapter 6.1 Analogue Settings.

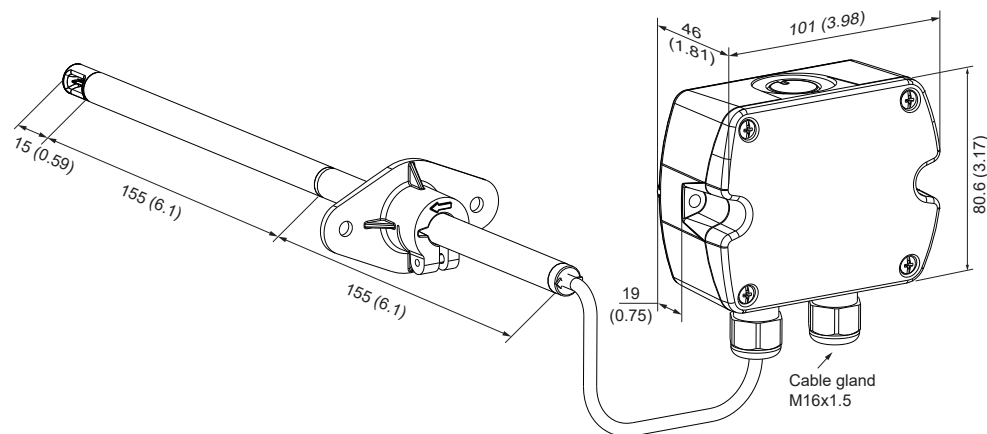
## 3.2 Dimensions

Values in mm (inch)

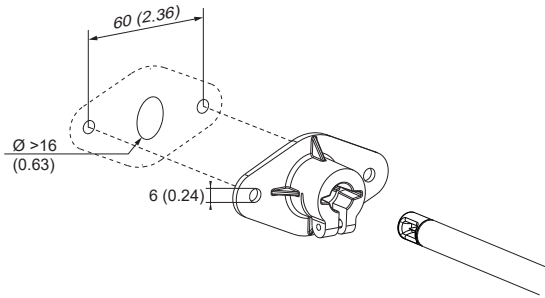
### Duct mount



### Remote Probe



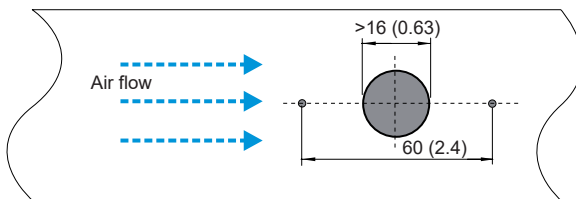
**Mounting flange**



# 4 Mounting and Installation

## 4.1 Drilling in the Wall of the Duct for Installing the Mounting Flange

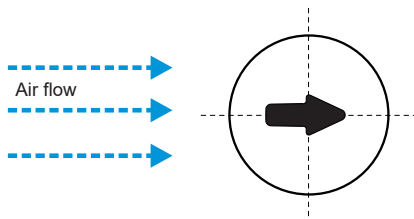
**Drilling hole dimensions**  
in mm (inch)



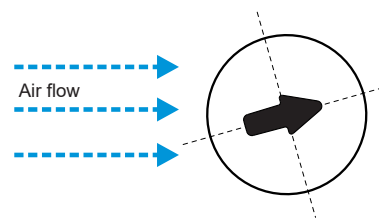
The arrow engraved on the sensing head of EE650 indicates the direction of the air stream during factory adjustment.

When installing the EE650 probe, make sure that the arrow exactly matches the flow direction.

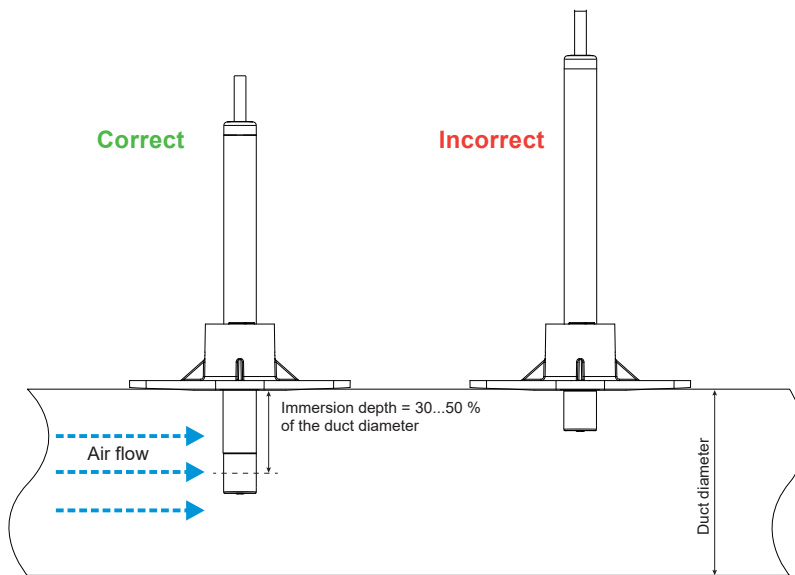
**Correct**



**Incorrect**



The mounting flange allows for precise setting of the EE650 immersion depth in a duct. The entire sensing head must be in the air flow to be measured.



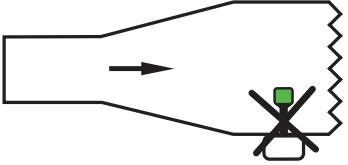
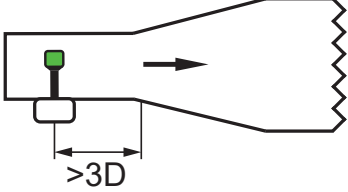
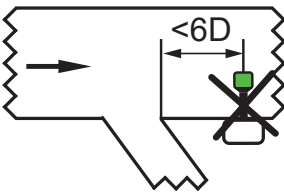
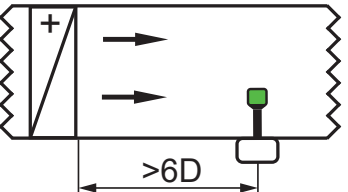
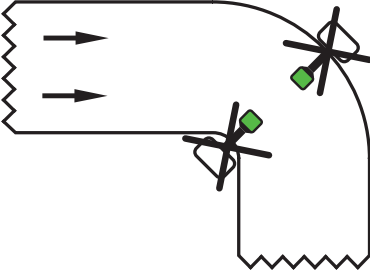
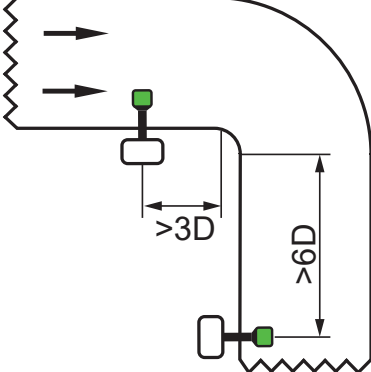
## 4.2 Positioning of Air Velocity Sensor in a Ventilation Duct

The reliable and accurate measurement of air velocity depends on the correct positioning of the sensor in the ventilation duct. Accurate measurements are only possible if the air velocity probe is positioned at a location with a laminar (not-turbulent) flow.

The required length of the calming section after a fault is a function of the tube diameter D. For a rectangular channel a x b applies:

$$D_{gl} = \frac{2 \cdot a \cdot b}{a + b}$$

Incorrect positioning	Correct positioning	Description
		<p>Mounting the sensing probe in the centre of the duct.</p>
		<p>The optimal position is after the filter. Please ensure sufficient distance.</p>

Incorrect positioning	Correct positioning	Description
		Position the probe in front of the diffuser, at a place with high flow rate.
		Position the probe at a location with a laminar (to-turbulent) flow.
		Turbulent flows are caused by pipe bends, branches, behind flaps, flanges, air heaters, air coolers or cross-sectional changes.

Tab. 1 Positioning examples

## 5 Electrical Connection

### WARNING

Incorrect installation, wiring or power supply may cause overheating and therefore personal injuries or damage to property.

For correct cabling of the device, always observe the presented wiring diagram for the product version used.

The manufacturer cannot be held responsible for personal injuries or damage to property as a result of incorrect handling, installation, wiring, power supply and maintenance of the device.

The EE650 features screw terminals for connecting the power supply and the outputs. The cables are fed into the enclosure through the M16 cable gland.

**NOTICE**

- It is important to make sure that the cable glands are closed tightly for the power supply and outputs cable. This is necessary for assuring the IP rating of the enclosure according to EE650 specification, as well as for stress relief at the screw terminals on the EE650 board.
- Accurate measurement results are conditioned by the correct positioning of the sensing probe in the air stream. The best accuracy is achieved with laminar flow.
- Observe the minimum inlet and outlet path length, refer to chapter 4.2 Positioning of Air Velocity Sensor in a Ventilation Duct.
- Avoid mechanical stress onto the probe and mainly onto the sensing head.
- Observe the humidity working range 5...95% RH, non-condensing.
- Avoid installation in corrosive environment, as this may lead to sensor destruction.

## 5.1 Analogue Output

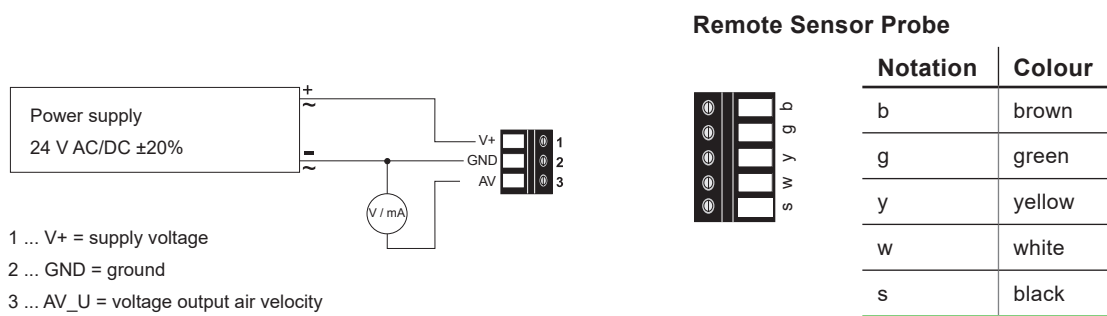


Fig. 1 Connection diagram for analogue output

## 5.2 RS485 Interface

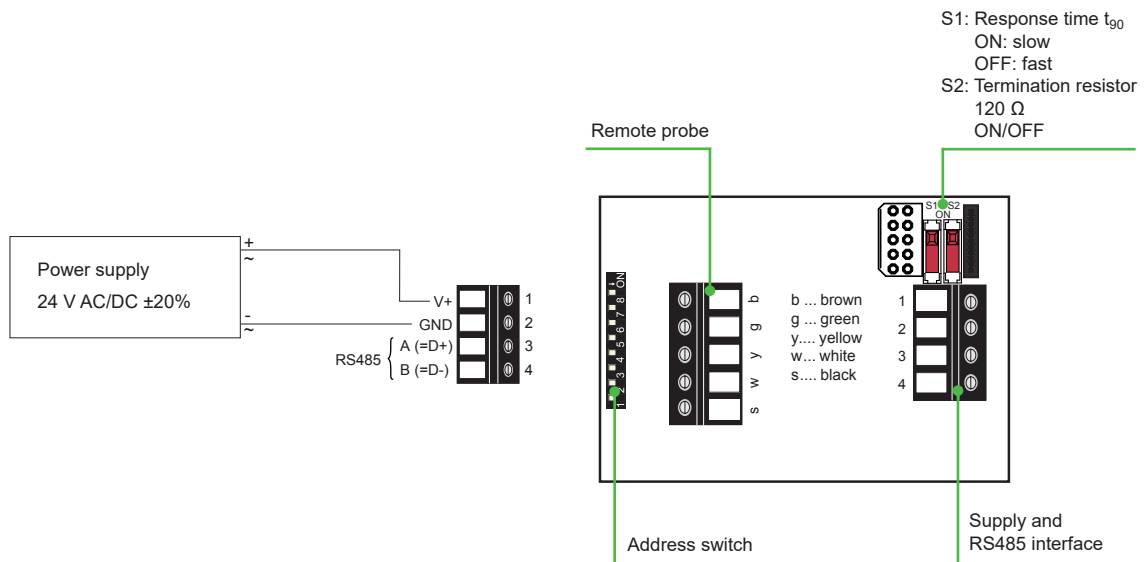
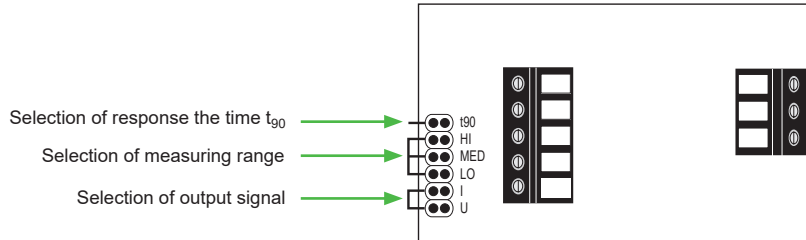


Fig. 2 Connection diagram for RS485 interface

# 6 Setup and Configuration

## 6.1 Analogue Settings

For performing the EE650 settings via the PCS10 Product Configuration Software (free download from [www.epluse.com/pcs10](http://www.epluse.com/pcs10)) the jumper for the measuring range must be set to HI.



### 6.1.1. Selection of the Output Signal

Jumper I Current (factory setting)	Jumper U Voltage

### 6.1.2. Selection of Response Time t90

Jumper t90 SLOW 4 s (factory setting)	no jumper FAST 1 s

### 6.1.3. Selection of Measuring Range

Jumper HI 0...20 m/s (0...4000 ft/min) (factory setting)	Jumper MED 0...15 m/s (0...3000 ft/min)	Jumper LO 0...10 m/s (0...2000 ft/min)

### 6.1.4. Customised ranges

Jumper HI + MED (factory setting)

\*) Upon request, customised ranges are fixed, no further selection with jumpers is possible.

## 6.2 RS485 Digital Interface

The EE650 is ready to use and does not require any configuration by the user. The factory setup of the EE650 corresponds to the type number ordered. Please refer to the datasheet at [www.epluse.com/ee650](http://www.epluse.com/ee650). If needed, the user can change the factory setup with the help of the free PCS10 Product Configuration Software and the Modbus configuration adapter (HA011066).

### NOTICE

The EE650 may not be connected to any additional power supply when using the USB configuration adapter HA011066.

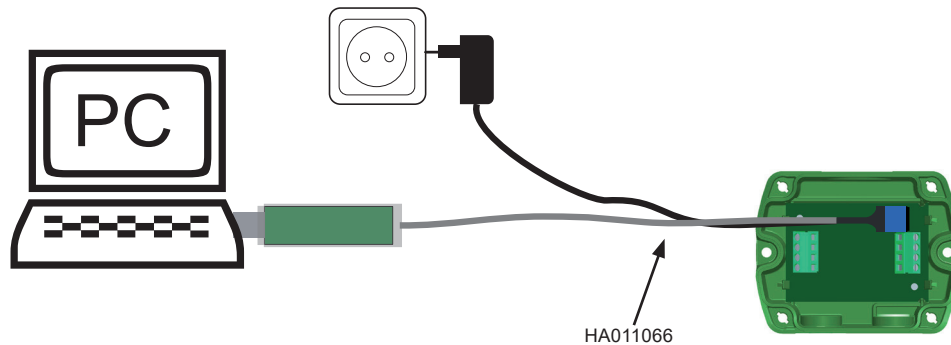


Fig. 3 EE650 connected to a PC running PCS10

### 6.2.1. PCS10 Product Configuration Software

To use the software for changes in settings, please proceed as follows:

1. Download the PCS10 Product Configuration Software from [www.epluse.com/pcs10](http://www.epluse.com/pcs10) and install it on the PC.
2. Connect the EE650 to the PC using the Modbus configuration adapter.
3. Start the PCS10 software.
4. Follow the instructions on the PCS10 opening page for scanning the ports and identifying the connected device.
5. Click on the desired setup mode from the main PCS10 menu on the left. Follow the online instructions of the PCS10 which are displayed when clicking the "Tutorial" button.
6. Changes are uploaded to the sensor by pressing the "Sync" button.

### 6.2.2. Hardware Bus Termination

For bus termination the EE650 features an internal 120  $\Omega$  resistor which can be activated using the slide switch S2 on the electronics board (refer to also chapter 5.2 RS485 Interface for details).

### NOTICE

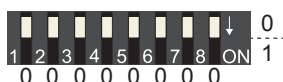
For proper function, the power supply must be strong enough to ensure supply voltage within the specified range (refer to chapter 9 Technical Data) at any time and at all devices in the bus. This is particularly relevant when using long and thin cables which can cause high voltage drop.

### **i** PLEASE NOTE

A single EE650 requires peak current of 150 mA.

### 6.2.3. Device Address

#### Address Switch



#### Address setting via PCS10 Product Configuration Software

All DIP switches at position 0 → address has to be set via PCS10

**Modbus** (slave device): factory setting 65 (permitted values: 1...247).

**BACnet** (master device): factory setting 65 (permitted values: 0...127).

*Example: Address is set via configuration software = factory setting.*

#### Address Switch



#### Address setting via DIP switch

**Modbus** (slave device): Setting the DIP switches to any other address than 0, overrules the Modbus address set via PCS10 (permitted values: 1...247).

**BACnet** (master device): Setting the DIP switches to any other address than 0, overrules the BACnet address set via configuration software.

BACnet Note: permitted values are 0...127. The 8th bit of the DIP switches is ignored (ID 127 = 0111 111). To set address 0 via DIP switches, the 8th bit shall be set to 1 (ID 0 = 1000 0000).

*Example: Address set to 11 (= 0000 1011 binary).*

### 6.2.4. BACnet Protocol Settings

	Factory settings	User selectable values (via PCS10)
Baud rate	As specified in the order code	9 600, 19 200, 38 400, 57 600, 76 800, 115 200
Data bits	8	8
Parity	None	None
Stop bits	1	1
BACnet address	65	0...127

Tab. 2 BACnet protocol settings

#### **i** PLEASE NOTE

The recommended settings for multiple devices in a BACnet MS/TP network are 38 400, 8, none, 1.

The EE650 PICS (Product Implementation Conformance Statement) is available on the E+E website at [www.epluse.com/ee650](http://www.epluse.com/ee650).

BACnet address and baud rate can be set via:

- PCS10 Product Configuration Software and the USB configuration adapter HA011066.
- BACnet protocol, refer to the PICS.

### 6.2.5. Modbus RTU Protocol Settings

	Factory settings	Selectable values (via PCS10)
Baud rate	As specified in the order code	9 600, 19 200, 38 400, 57 600, 76 800, 115 200
Data bits	8	8
Parity	Even	None, odd, even
Stop bits	1	1, 2
Modbus address	65	1...247

Tab. 3 Modbus RTU protocol settings

**i PLEASE NOTE**

- The recommended settings for multiple devices in a Modbus RTU network are 9600, 8, even, 1.
- The EE650 represents 1 unit load on an RS485 network.

Device address, baud rate, parity and stop bits can be set via:

- PCS10 Product Configuration Software and the USB configuration adapter HA011066.  
The PCS10 can be downloaded free of charge from [www.epluse.com/pcs10](http://www.epluse.com/pcs10).
- Modbus protocol in the register 1 (0x00) and 2 (0x01).  
Refer to Application Note Modbus AN0103 (available at [www.epluse.com/ee650](http://www.epluse.com/ee650)).

The serial number as ASCII-code is located in read-only registers 1 - 8 (0x00 - 0x07).

The firmware version is located in read-only register 9 (0x08) (bit 15...8 = major release; bit 7...0 = minor release).

The sensor name as ASCII-code is located in read-only registers 10 - 17 (0x09 - 0x10).

**NOTICE**

When reading information that spans multiple registers, it is always necessary to read all registers, even if the desired information requires less.

**NOTICE**

For obtaining the correct floating point values, both registers have to be read within the same reading cycle. The measured value can change between two Modbus requests, exponent and mantissa may get inconsistent then.

**i INFO**

The Modbus function codes mentioned throughout this document shall be used as described in the MODBUS APPLICATION PROTOCOL SPECIFICATION V1.1b3, chapter 6:  
[www.modbus.org/docs/Modbus\\_Application\\_Protocol\\_V1\\_1b3.pdf](http://www.modbus.org/docs/Modbus_Application_Protocol_V1_1b3.pdf)

**Communication settings (INT16)**

Parameter	Register number <sup>1)</sup> [Dec]	Register address <sup>2)</sup> [Hex]	Size <sup>3)</sup>
Write register: function code 0x06			
Modbus address <sup>4)5)</sup>	1	00	1
Modbus protocol settings <sup>4)</sup>	2	01	1

**Device information (INT16)**

Parameter	Register number <sup>1)</sup> [Dec]	Register address <sup>2)</sup> [Hex]	Size <sup>3)</sup>
Read register: function code 0x03 / 0x04			
Serial number (as ASCII)	1	00	8
Firmware version	9	08	1
Sensor name (as ASCII)	10	09	8

- 1) Register number (decimal) starts from 1.
- 2) Register address (hexadecimal) starts from 0.
- 3) Number of registers
- 4) For Modbus address and protocol settings refer to Application Note Modbus AN0103 (available at [www.epluse.com/ee650](http://www.epluse.com/ee650)).
- 5) If the ID is set via DIP-Switch the response will be NAK.

Tab. 4 EE650 registers for device setup



<b>Modbus response [Hex]</b>			
Byte 3	Byte 4	Byte 1	Byte 2
38	5F	41	D5
MMMMMMMM	MMMMMMMM	SEEEEEEE	EMMMMMMM

Tab. 7 Modbus response

<b>IEEE754</b>			
Byte 1	Byte 2	Byte 3	Byte 4
41	D5	38	5F
0100 0001	1101 0101	0011 1000	0101 1111
SEEE EEEE	EMMM MMMM	MMMM MMMM	MMMM MMMM
Decimal value: 26.652524			

Tab. 8 Data representation according to IEEE754

## 7 Maintenance and Service

Due to the absence of moving parts, the E+E air velocity sensor is not a subject to wear. The design (shape, dimensions and materials) of the hot-film air velocity sensor is inherently very insensitive to dust and dirt. No maintenance is required under normal ambient conditions. For operation in dirty environments, it is advisable to clean the sensor head regularly in isopropyl alcohol, preferably in an ultrasonic cleaner. Alternatively shake it gently for a few minutes in a pot with isopropyl alcohol and allow it to dry freely.

### NOTICE

Do not touch or rub the sensor and do not use any mechanical tools for cleaning.

### 7.1 Repairs

Repairs may be carried out by the manufacturer only. The attempt of unauthorized repair excludes any warranty claims.

## 8 Accessories

For further information please refer to the [Accessories](#) datasheet.

<b>Accessories</b>	<b>Code</b>
USB configuration adapter	HA011066
PCS10 Product Configuration Software (free download: <a href="http://www.epluse.com/pcs10">www.epluse.com/pcs10</a> )	EE-PCS
Power supply adapter	V03

# 9 Technical Data

## Measurands

### Air Velocity (v)

<b>Measuring range</b>	0...10 m/s (0...2000 ft/min) 0...15 m/s (0...3000 ft/min) 0...20 m/s (0...4000 ft/min) (factory setting)
<b>Accuracy<sup>1)</sup></b> from 0.2 m/s, @ 20 °C (68 °F), 45 %RH and 1 013 hPa (14.7 psi)	± (0.2 m/s (40 ft/min) + 3 % of m. v.) mv = measured value
<b>Response time t<sub>90</sub></b> , typ. @constant temperature, selectable via jumpers, only for analogue output	4 s (factory setting) down to 1 s

1) The accuracy statement includes the uncertainty of the factory calibration with an enhancement factor k=2 (2-times standard deviation). The accuracy was calculated in accordance with EA-4/02 and with regard to GUM (Guide to the Expression of Uncertainty in Measurement).

## Outputs




### Analogue

<b>Air velocity v</b> measuring range selectable via jumpers, only for analogue output	0 - 10 V 4 - 20 mA (3-wire, factory setting)	$0 < I_L < 1 \text{ mA}$ $R_L \leq 500 \Omega$	$I_L = \text{load current}$ $R_L = \text{load resistance}$
---	---	---	---

### Digital

<b>Digital interface</b>	RS485 (EE650 = 1 unit load)
<b>Protocol</b> <b>Factory settings</b> <b>Supported Baud rates</b> <b>Measured data types</b>	Modbus RTU 9 600 Baud, parity even, 1 stop bit, Modbus address 65 9 600, 19 200 and 38 400 FLOAT32 and INT16
<b>Protocol</b> <b>Factory settings</b> <b>Supported Baud rates</b>	BACnet MS/TP BACnet address 65 9 600, 19 200, 38 400, 57 600 and 76 800

## General

<b>Power supply</b> class III  USA & Canada: Class 2 supply necessary	24 V AC/DC ±20 %		
<b>Current consumption</b> , max.	<b>AC supply</b>	<b>DC supply</b>	
	<b>Analogue output</b>	170 mA	
	<b>RS485</b>	120 mA	
<b>Electrical connection</b>	Screw terminals max. 1.5 mm <sup>2</sup> (AWG 16)		
<b>Cable gland</b>	M16x1.5		
<b>Humidity working range</b>	5...95 %RH, non-condensing		
<b>Temperature working range</b>	<b>Probe</b>	-25...+50 °C (-13...+122 °F)	
	<b>Electronics</b>	-10...+50 °C (+14...+122 °F)	
	<b>Storage</b>	-30...+60 °C (-22...+140 °F)	
<b>Enclosure material</b>	Polycarbonate (PC), UL94V-0 approved		
<b>Protection rating</b>	<b>Enclosure</b>	IP65 / NEMA 4X	
	<b>Remote probe</b>	IP20	
<b>Electromagnetic compatibility</b>	EN 61326-1 FCC Part15 Class A	EN 61326-2-3 ICES-003 Class A	Industrial environment
<b>Conformity</b>	 		

# 10 Conformity

## 10.1 Declarations of Conformity

E+E Elektronik Ges.m.b.H. hereby declares that the product complies with the respective regulations listed below:



European directives and standards.

and



UK statutory instruments and designated standards.

Please refer to the product page at [www.epluse.com/ee650](http://www.epluse.com/ee650) or the Declarations of Conformity.

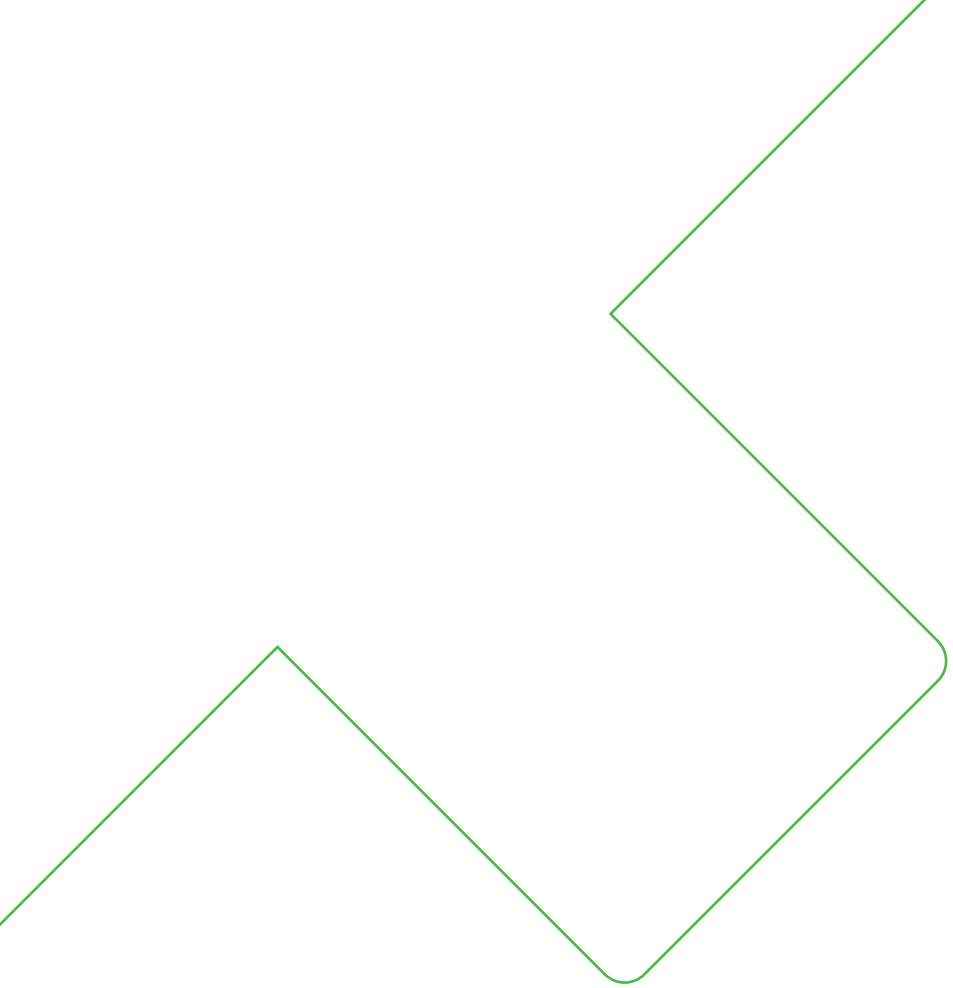
## 10.2 FCC Part 15 Compliance Statement

This equipment has been tested and found to comply with the limits for a Class A digital device, pursuant to part 15 of the FCC Rules. These limits are designed to provide reasonable protection against harmful interference when the equipment is operated in a commercial environment. This equipment generates, uses, and can radiate radio frequency energy and, if not installed and used in accordance with the instruction manual, may cause harmful interference to radio communications. Operation of this equipment in a residential area is likely to cause harmful interference in which case the user will be required to correct the interference at his own expense.

## 10.3 ICES-003 Compliance Statement

This Class A digital apparatus complies with Canadian ICES-003.

Cet appareil numérique de la classe A est conforme à la norme NMB-003 du Canada.



Company Headquarters &  
Production Site

**E+E Elektronik Ges.m.b.H.**  
Langwiesen 7  
4209 Engerwitzdorf | Austria  
T +43 7235 605-0  
F +43 7235 605-8  
info@epluse.com  
www.epluse.com

Subsidiaries

**E+E Sensor Technology (Shanghai) Co., Ltd.**  
T +86 21 6117 6129  
info@epluse.cn

**E+E Elektronik France SARL**  
T +33 4 74 72 35 82  
info.fr@epluse.com

**E+E Elektronik Deutschland GmbH**  
T +49 6171 69411-0  
info.de@epluse.com

**E+E Elektronik India Private Limited**  
T +91 990 440 5400  
info.in@epluse.com

**E+E Elektronik Italia S.r.l.**  
T +39 02 2707 86 36  
info.it@epluse.com

**E+E Elektronik Korea Ltd.**  
T +82 31 732 6050  
info.kr@epluse.com

**E+E Elektronik Corporation**  
T +1 847 490 0520  
info.us@epluse.com



—  
your partner  
in sensor  
technology.