



Key Features

- SAE 5-Bolt Flange Mount
- Aluminium Construction
- Available up to 500mm Long
- Suitable for Use with Fuels, Oils and Bio-Fuels
- 0-5V Analogue Output
- -40°C to +125°C Operating Temperature
- Factory Calibrated
- Solid-State Capacitive Technology

The R-Series liquid level sensor features an SAE 5-bolt flange mount with fully-integrated electronics. The sensor is manufactured to your custom length requirement and offers a fully configurable 0-5V analogue output (typically calibrated 0.25V empty, 4.75V full).

Manufactured from aluminium, the sensor utilises solid-state capacitive technology to accurately detect levels of fuel, oil, bio-fuels and other liquids. Each sensor is factory calibrated in your liquid type (or equivalent).



Electrical

Supply Voltage	+6VDC to +24VDC
Supply Current	<10mA @12V
Serial Interface	RS232 (+5V)
Resolution	10 bit
Sample Rate	10Hz, 40Hz & 80Hz

Analogue Output

Voltage Output Range	0.25V - 4.75V over sensing range
Range Accuracy	±1% of medium depth @20°C

Wiring

Wire	0.5m flying lead unless specified
Wiring Gauge	Typically 26 AWG Raychem type SS (options up to 20 AWG if requested)
Cable Material Compatibility	Wiring sleeved with either Fluoroelastomer or Raychem DR25, or customised to customer specifications

Mechanical

Probe Length	80 - 500mm (customer to specify)
Mounting	SAE 5-bolt pattern
Weight	From 180g (dependant on length)

Environmental

Protection Class	IP67
Operational Temperature	-40°C to +125°C
EMC Immunity Level	SAE J1113/2 1996
Construction	Aluminium
Finish	Anodised to DEF STAN 025

Compatible Medium

Fuel	Gasoline, Unleaded, LRP, Jet Fuel, Avgas
Oil	Engine oils, transmission oils, steering & hydraulic fluids, Diesel, Heavy Oil
BioFuel	Ethanol E100, E85, E50, E10 Methanol
Other	Please consult Gill for other liquid compatibilities

Fuel, Oil or Bio-fuel level sensor

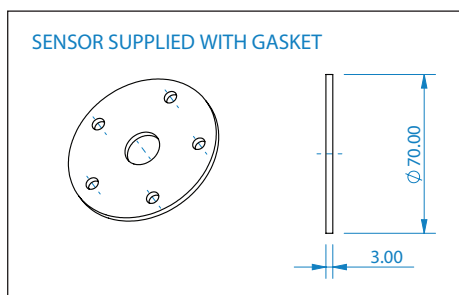
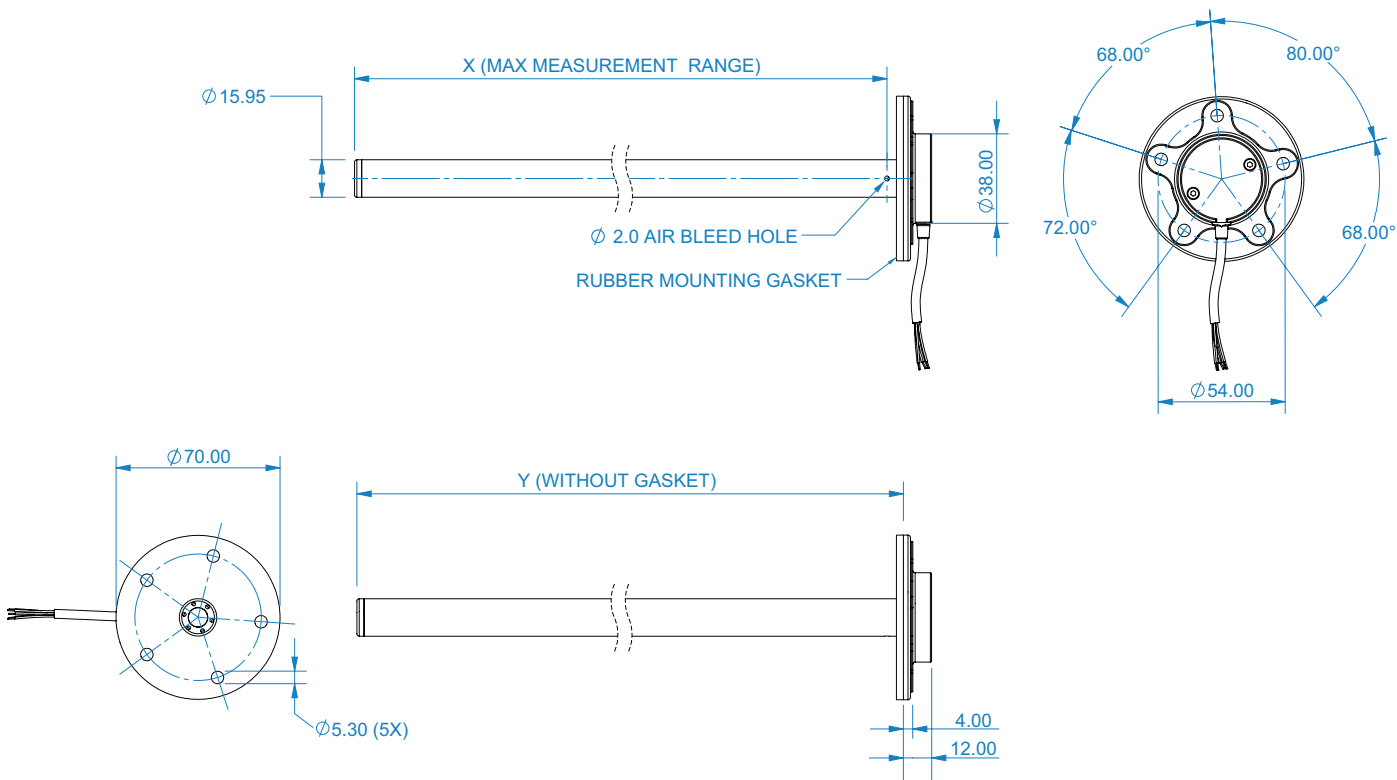
Wiring

 Red	V+ (Power)
 Black	V- (GND)
 Orange	Analogue signal 0.25V to 4.25V
 Green	Serial Rx
 White	Serial Tx

Part Numbers

Fuel	1612-00-015
Oil	1612-00-016
Bio-Fuel	1612-00-017

Dimensions X & Y are customer specified



Gill Sensors
Saltmarsh Park
67 Gosport Street
Lymington
Hampshire
SO41 9EG, UK

T: +44 (0) 1590 613 400
F: +44 (0) 1590 613 401
E: info@gillsensors.co.uk

www.gillsensors.co.uk

